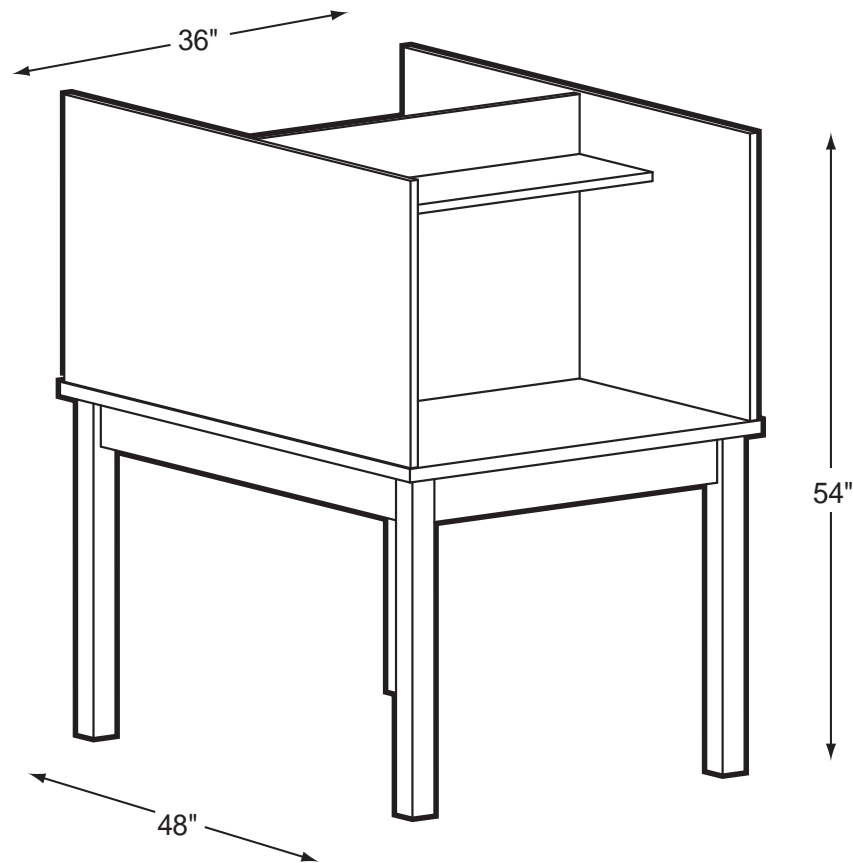


LIBRARY 3000

3022

**Back-to-Back
Study Carrel**



Product Specs

- ¾" thermal fused laminate sides, back and shelf
- 1" HPL top
- 3mm oak edge banding
- 2¼" solid oak legs
- 14 gauge steel corner brackets
- Adjustable glides
- 4" solid oak skirt

0708