

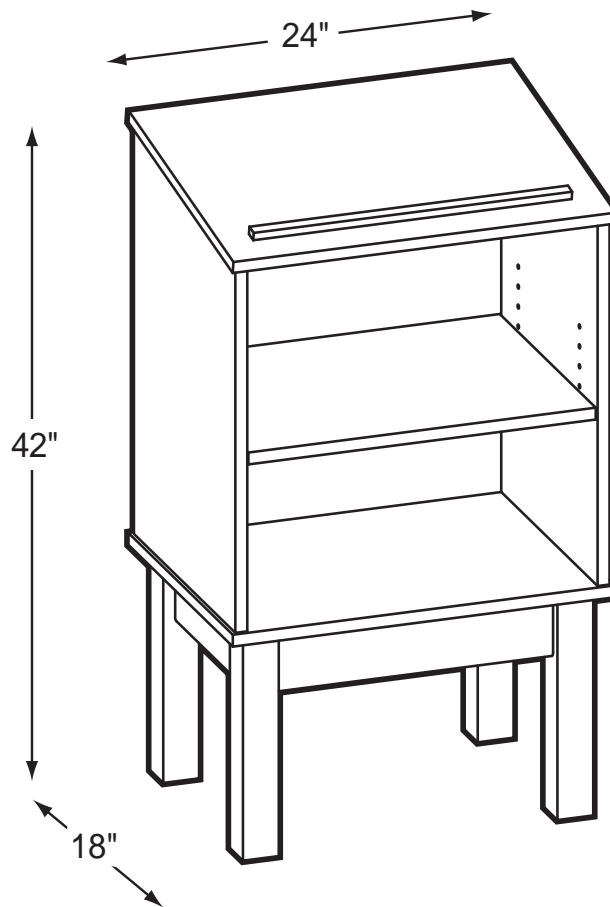


IRONWOOD
MANUFACTURING

LIBRARY 3000

3026

Dictionary Stand



Product Specs

- ¾" thermal fused laminate sides, back and shelf
- 1" thermal fused laminate top
- 80mm grommet
- 3mm oak edge banding
- 2¼" solid oak legs
- 14 gauge steel corner brackets
- Adjustable glides
- 4" solid oak skirt
- 5mm steel shelf supports
- One adjustable shelf
- Oak pencil stop

0708