

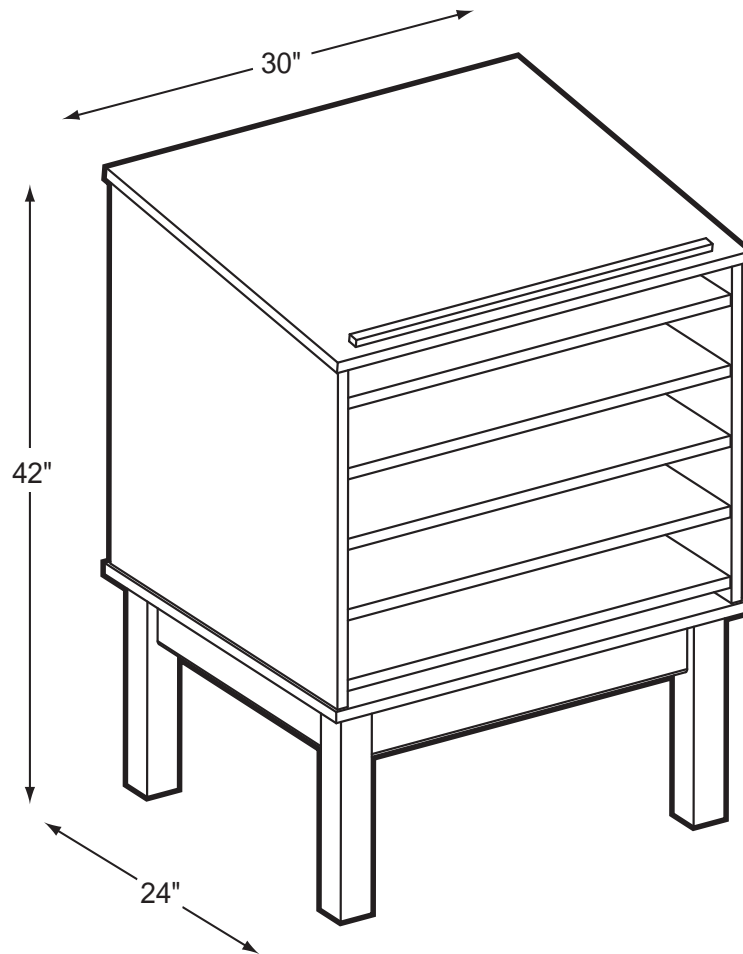


**IRONWOOD**  
MANUFACTURING

LIBRARY 3000

**3027**

**Atlas Stand**



**Product Specs**

- 3/4" thermal fused laminate sides, back and shelf
- 1" thermal fused laminate top
- 80mm grommet
- 3mm oak edge banding
- 2 1/4" solid oak legs
- 14 gauge steel corner brackets
- Adjustable glides
- 4" solid oak skirt
- 5mm steel shelf supports
- Five pull-out shelves
- 75# rated 2/3 extension shelf slide
- Oak pencil stop

0708