

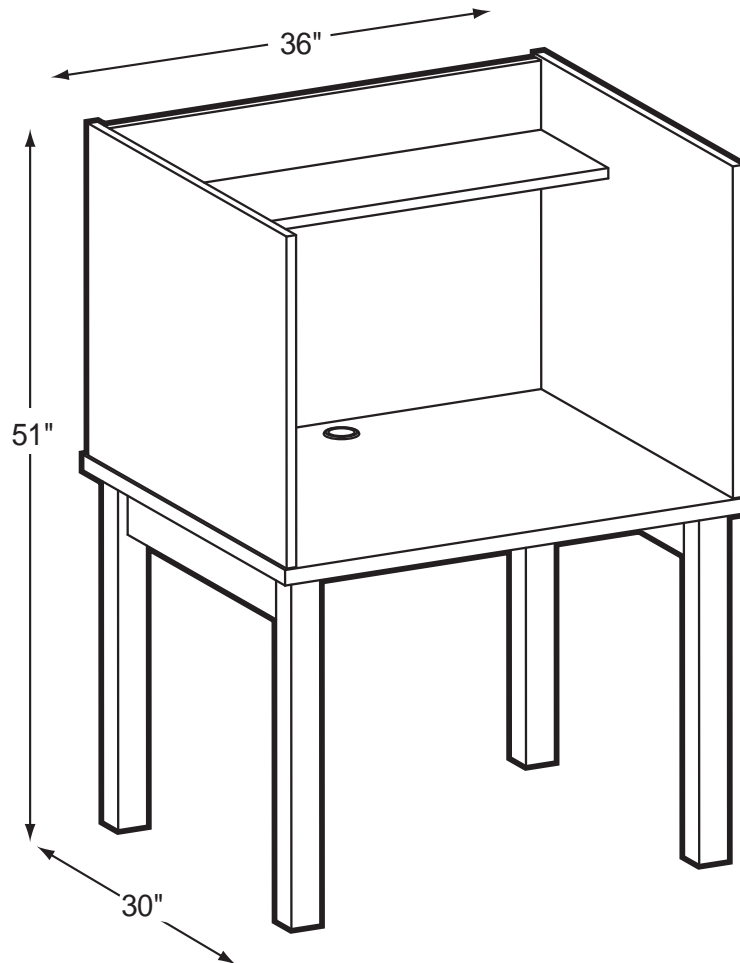


**IRONWOOD**  
MANUFACTURING

LIBRARY 3000

**3029**

## Computer Carrel



### Product Specs

- ¾" thermal fused laminate sides, back and shelf
- 1" HPL top
- 80mm grommet
- 3mm oak edge banding
- 2¼" solid oak legs
- 14 gauge steel corner brackets
- Adjustable glides
- 4" solid oak skirt

0708