

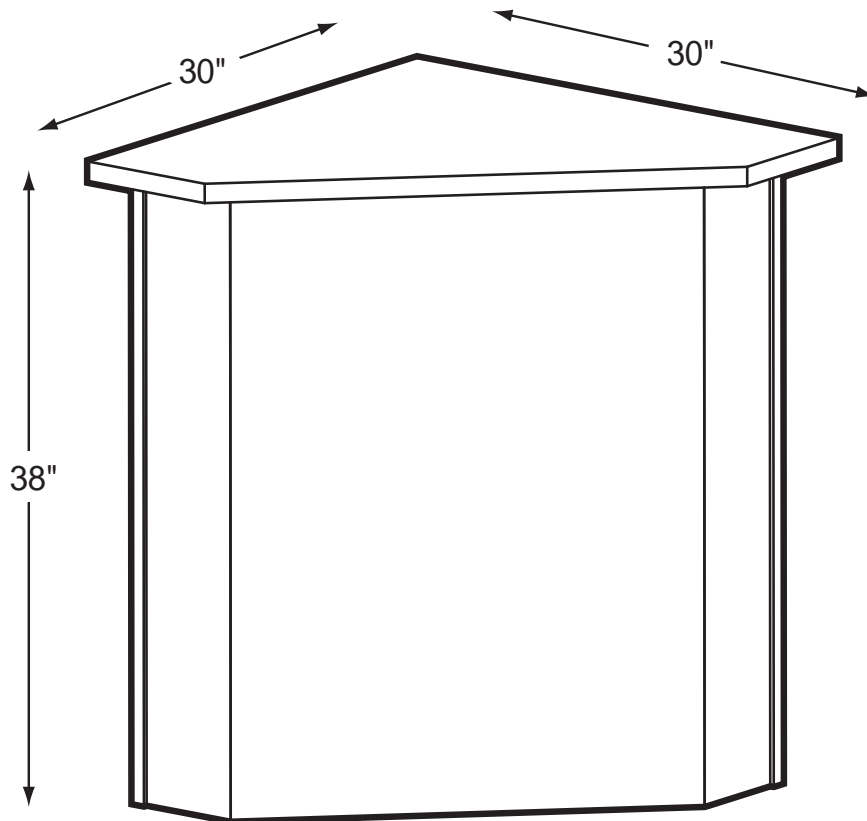


**IRONWOOD**  
MANUFACTURING

LIBRARY 3000

**3110**

**Angled Corner Unit**



**Product Specs**

- 1" HPL top
- 3mm oak edge banding
- 3/4" thermal fused laminate

0708

Ironwood Manufacturing • P.O. Box 1420 • Missoula, Montana 59806  
(406) 721-4747 • (800) 769-5693 • fax (406) 721-8424 • [www.ironwoodmfg.com](http://www.ironwoodmfg.com)