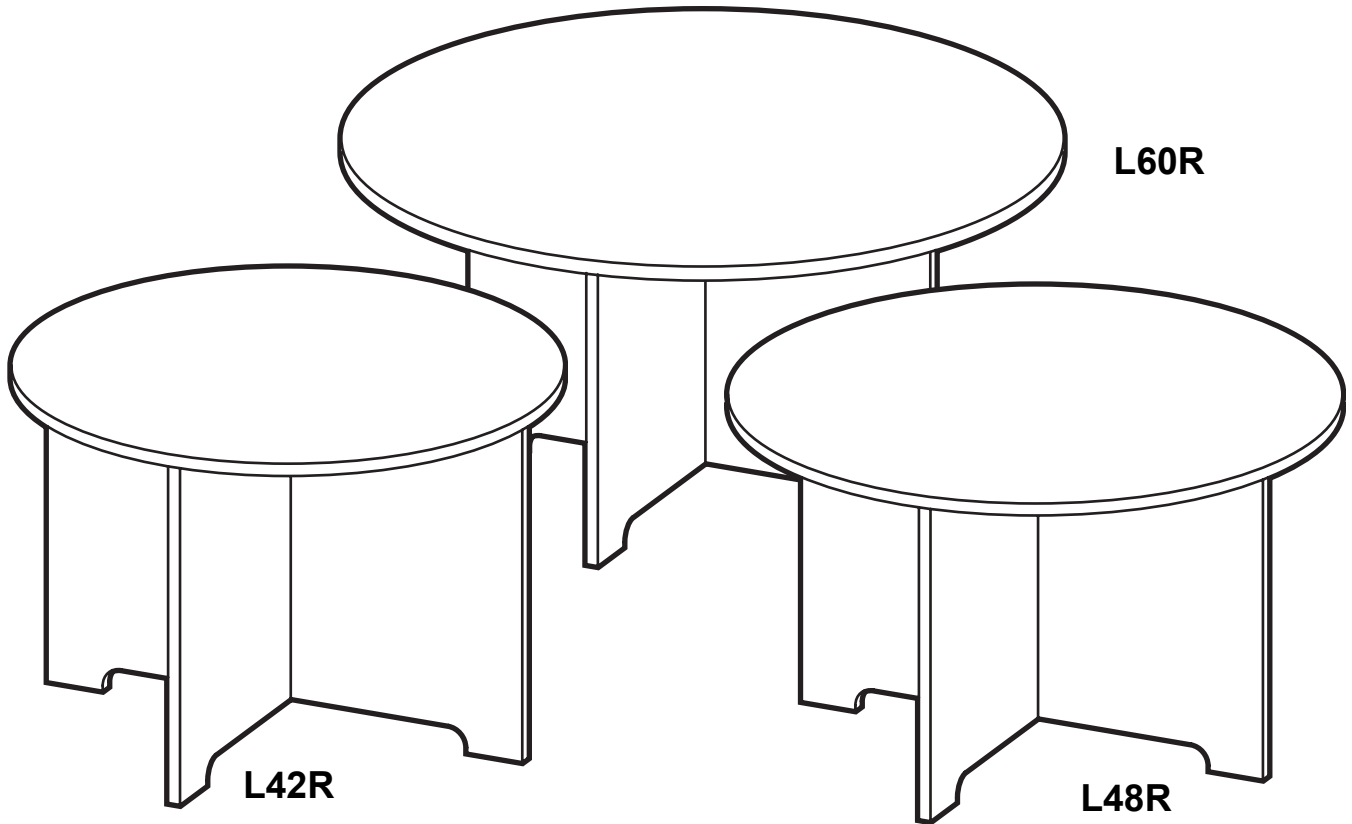




L42R/L48R/L60R

ROUND CONFERENCE TABLES



IMPORTANT!

Assembly may require the assistance of another person.

Before you begin assembly:

READ THE DIRECTIONS all the way through one time. This will speed up the process and help you understand the sequence of steps.

COUNT THE PARTS AND HARDWARE before assembly. This ensures you have received all necessary parts before you begin.

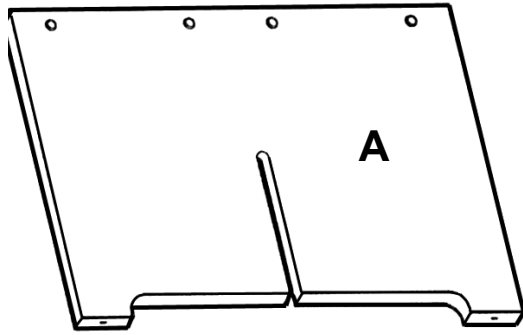
TOOLS: You may need a Phillips head screwdriver, a medium slotted screwdriver or a plastic mallet. To protect your new furniture from damage during assembly, it is recommended to work on a carpeted surface.

In the event any parts are missing from this package, send your name, address, telephone number, and a description of the missing part(s) to: PARTS, Box 1420, Missoula, MT 59806 or call: 1-800-769-5693 or FAX 1-800-445-5281.

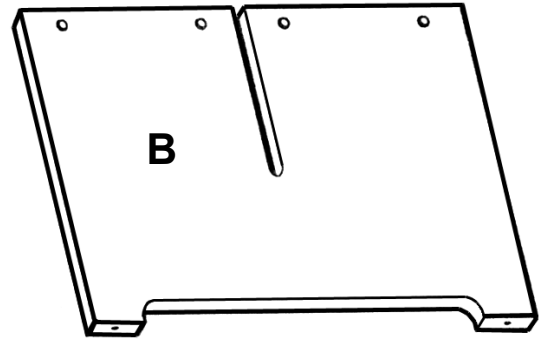
CAUTION: On assemblies requiring glue, make sure the unit is assembled correctly before gluing. Once this unit is assembled with glue, the manufacturer will not be responsible for damaged parts. Keep a damp cloth or sponge handy to wipe off excess glue.

To care for this furniture, simply wipe with a cloth dampened with glass cleaner containing ammonia-D.

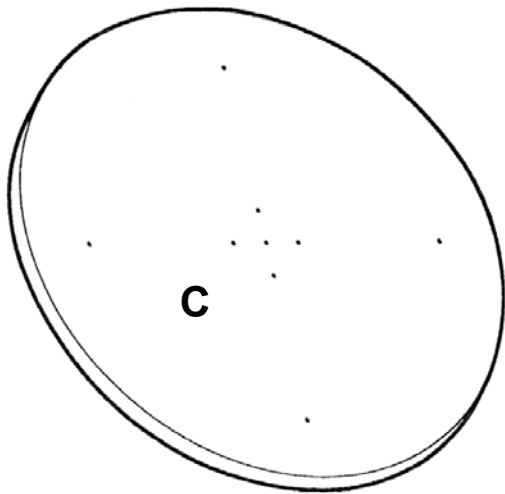
PARTS DIAGRAM



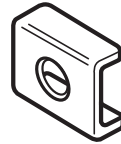
Female Leg – L42R	03420192	1 ea.
Female Leg – L48R	03420192	1 ea.
Female Leg – L60R	03420392	1 ea.



Male Leg – L42R	03420193	1 ea.
Male Leg – L48R	03420193	1 ea.
Male Leg – L60R	03420393	1 ea.



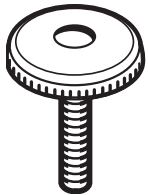
Top – L42R	03420101	1 ea.
Top – L48R	03420201	1 ea.
Top – L60R	03420301	1 ea.



H4	Leveler Bracket	402302	4 ea.
----	-----------------	--------	-------



H2	Minifix Cam	909810	8 ea.
----	-------------	--------	-------



H5	Leveler	300870	4 ea.
----	---------	--------	-------



H1	Minifix Bolt	909834	8 ea.
----	--------------	--------	-------

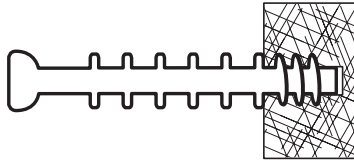


H3	Leveler Insert	274650	4 ea.
----	----------------	--------	-------

Using the Minifix System:

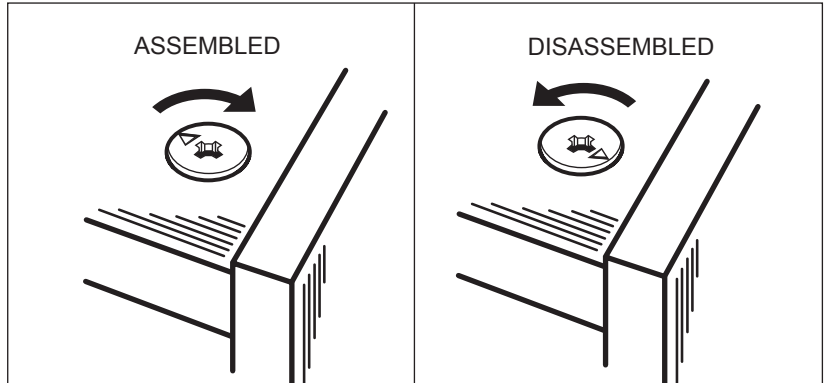
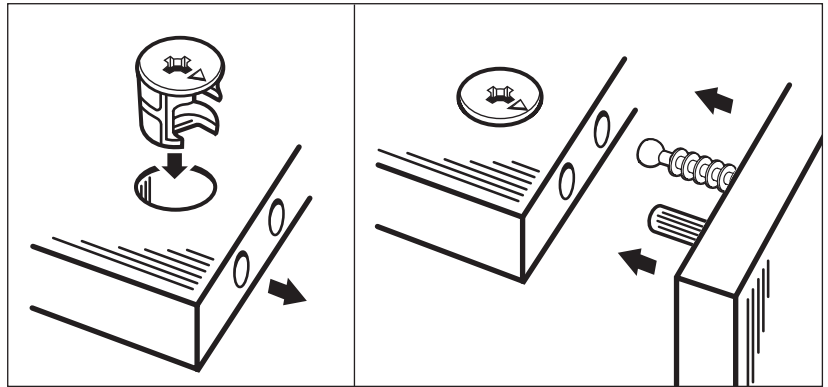
Insert the Minifix Cams into the appropriate holes with the arrow facing outwards as shown.

When screwing post into hole, **Do Not** over tighten. Screw post down until bottom face of post flange just touches board surface.



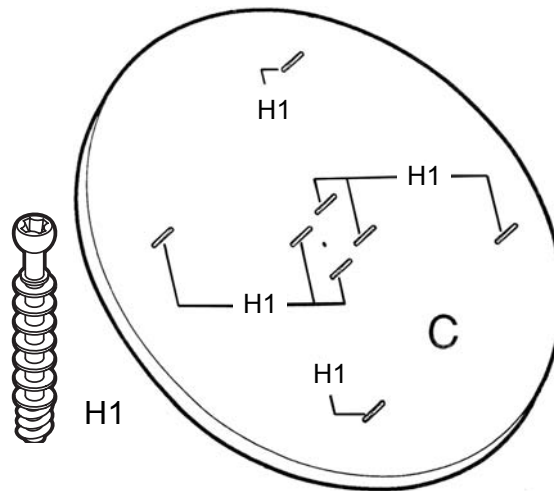
Using the #2 Phillips screwdriver, rotate the Cam Devices a half turn clockwise until snug.

To disassemble, turn the Cam Devices counter-clockwise and remove panels.



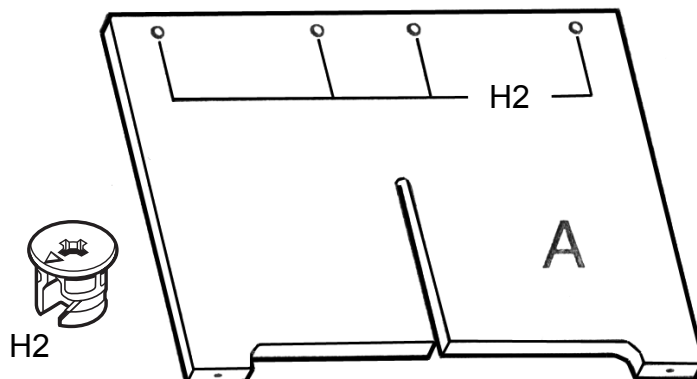
#1

Place the Top (C) on a clean, carpeted surface or foam padding with the pre-drilled holes facing up. Screw eight Minifix Bolts (H1) into the Top (C) where indicated.



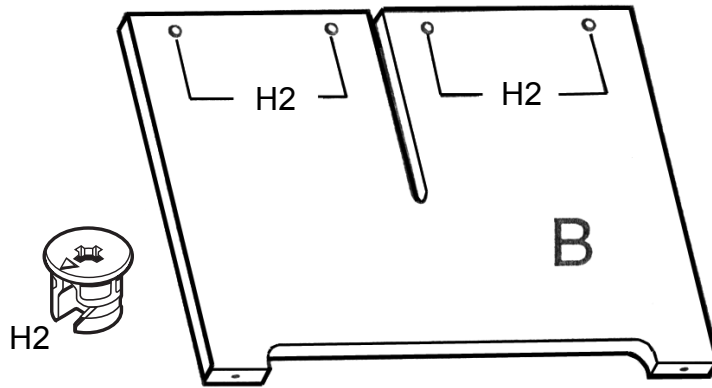
#2

Place the Female Leg (A) as shown. Insert four Minifix Cams (H2) into the Female Leg (A) with the arrows of the cams facing out.



#3

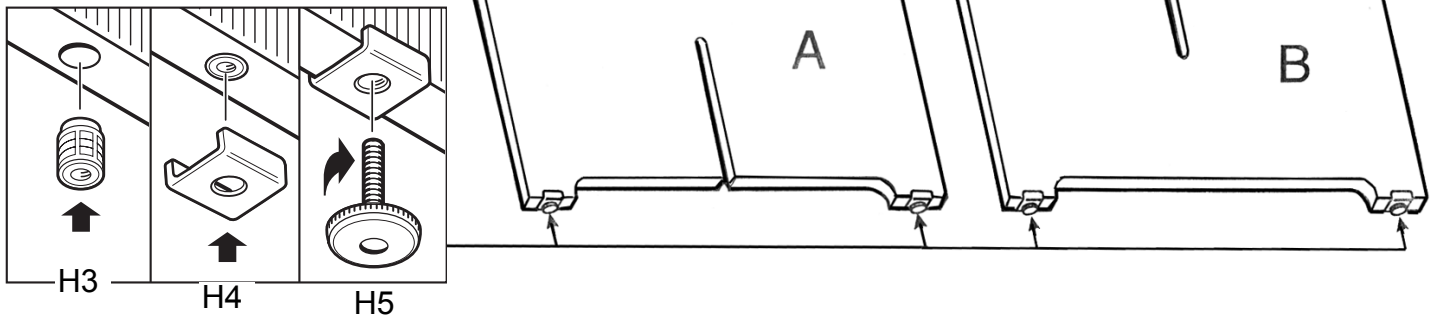
Place the Male Leg (B) as shown. Insert four Minifix Cams (H2) into the Male Leg (B) with the arrows of the cams facing out.



#4

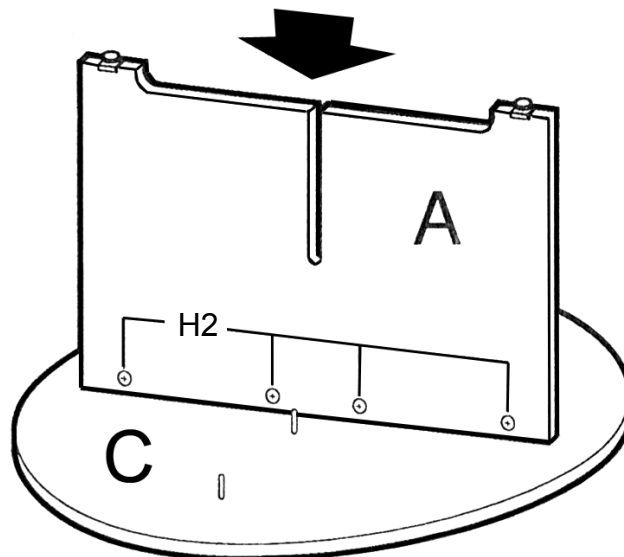
Install Leveler Inserts (H3) into the bottom holes of the Female Leg (A) and Male Leg (B) and tap until flush with the surface. Press a Leveler Bracket (H4) over each Leveler Insert (H3). Screw the Levelers (H5) into the Leveler Inserts (H3).

Adjust the Levelers after assembly is complete.



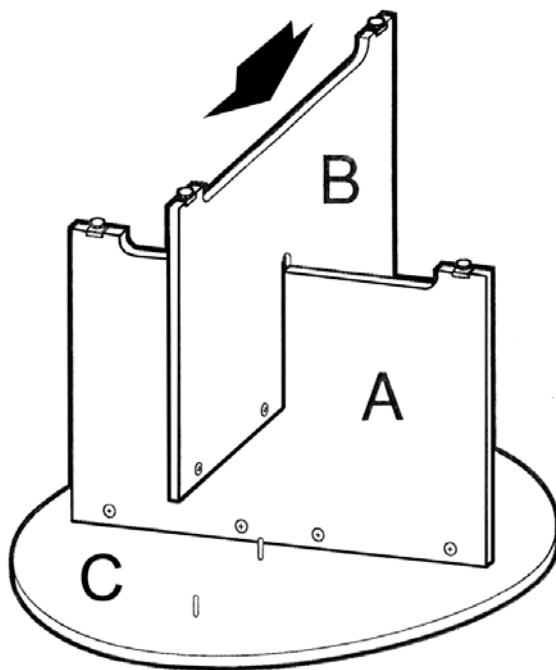
#5

Position the Female Leg (A) onto the bolts of the Top (C) and turn the arrows of the cams (H2) clockwise to secure.



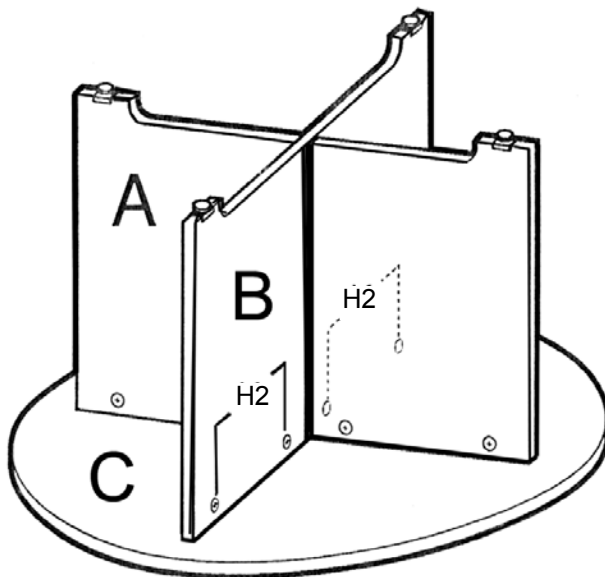
#6

Slide the slot of the Male Leg (B) into the slot of the Female Leg (A) and push down until flush against the Top (C).



#7

Secure the male Leg (B) to the Top (C) by turning the arrows of the cams (H2) clockwise to secure.



#8

With the assistance of another person, turn the unit upright.

The Round Conference Table is now fully assembled and ready for use.

