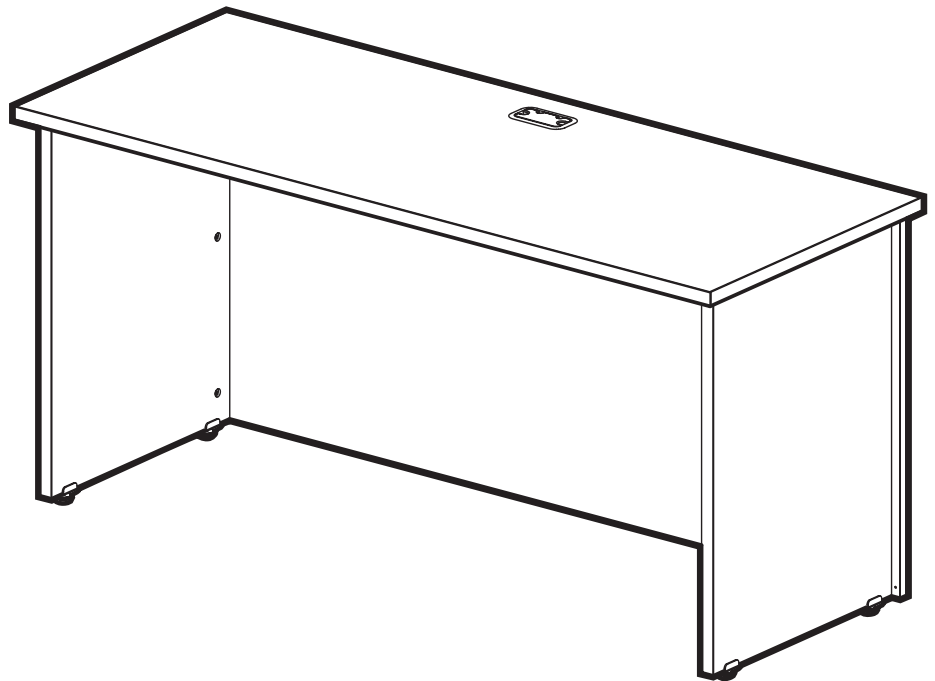




M2436 M2448 M2460
M2472 M3036 M3048
M3060 M3072

MODULAR SERIES
2400/3000 DESK SHELLS

All the desk shells assembled in the same manner. The M2460 Desk Shell is shown here.



IMPORTANT!

Assembly may require the assistance of another person.

Before you begin assembly:

READ THE DIRECTIONS all the way through one time. This will speed up the process and help you understand the sequence of steps.

COUNT THE PARTS AND HARDWARE before assembly. This ensures you have received all necessary parts before you begin.

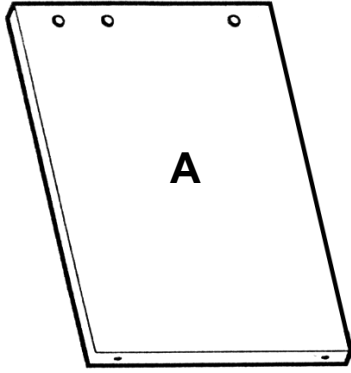
TOOLS: You may need a Phillips head screwdriver, a medium slotted screwdriver or a plastic mallet. To protect your new furniture from damage during assembly, it is recommended to work on a carpeted surface.

In the event any parts are missing from this package, send your name, address, telephone number, and a description of the missing part(s) to: **PARTS, Box 1420, Missoula, MT 59806** or call: **1-800-769-5693** or **FAX 1-800-445-5281**.

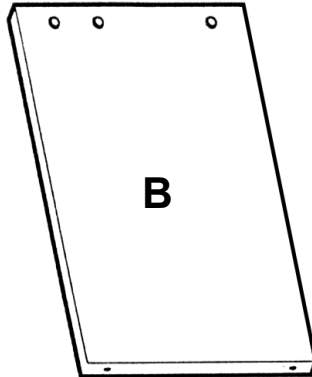
CAUTION: On assemblies requiring glue, make sure the unit is assembled correctly before gluing. Once this unit is assembled with glue, the manufacturer will not be responsible for damaged parts. Keep a damp cloth or sponge handy to wipe off excess glue.

To care for this furniture, simply wipe with a cloth dampened with glass cleaner containing ammonia-D.

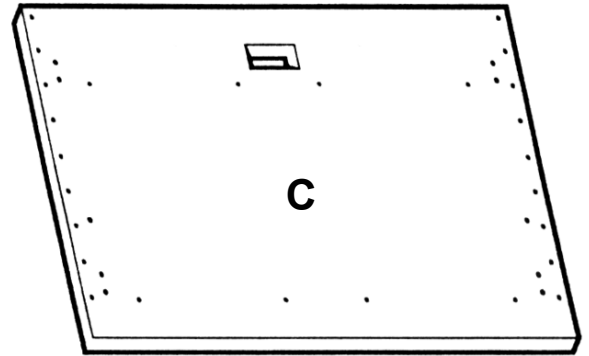
PARTS DIAGRAM



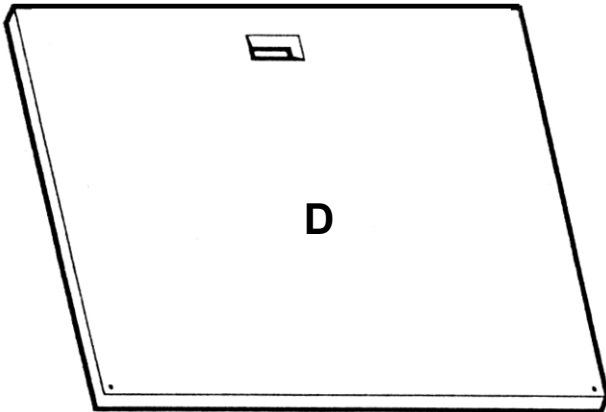
Left Side – M24XX	02310141	1 ea.
Left Side – M30XX	02310541	1 ea.



Right Side – M24XX	02310141	1 ea.
Right Side – M30XX	02310541	1 ea.



Top – M2436	02310101	1 ea.
M2448	02310201	
M2460	02310301	
M2472	02310401	
M3036	02310501	
M3048	02310601	
M3060	02310701	
M3072	02310801	



Back – M2436	02310152	1 ea.
M2448	02310252	
M2460	02310352	
M2472	02310452	
M3036	02310152	
M3048	02310652	
M3060	02310752	
M3072	02310452	



H1	Minifix Bolt 909834	M2436, M3036	14 ea.
		M2448, M3048 M2460, M3060	16 ea.
		M2472, M3072	17 ea.



H2	Wood Dowel	195000	4 ea.
----	------------	--------	-------



H3	Leveler Insert	274650	4 ea.
----	----------------	--------	-------



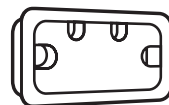
H4	Leveler Bracket	402302	4 ea.
----	-----------------	--------	-------



H5	Leveler	300870	4 ea.
----	---------	--------	-------



H6	Minifix Cam 909810	M2436, M3036	14 ea.
		M2448, M3048 M2460, M3060	16 ea.
		M2472, M3072	17 ea.

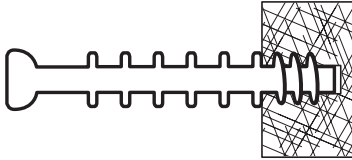


H7	Grommet 286580	M2436, M2448 M2460, M3036	2 ea.
		M2472, M3048 M3060, M3072	4 ea.

Using the Minifix System:

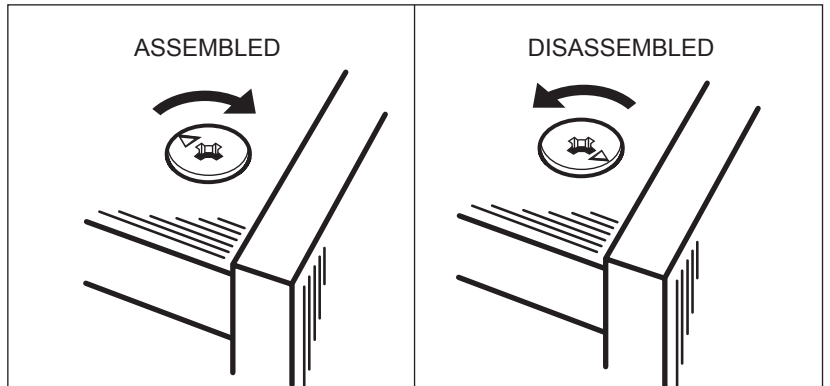
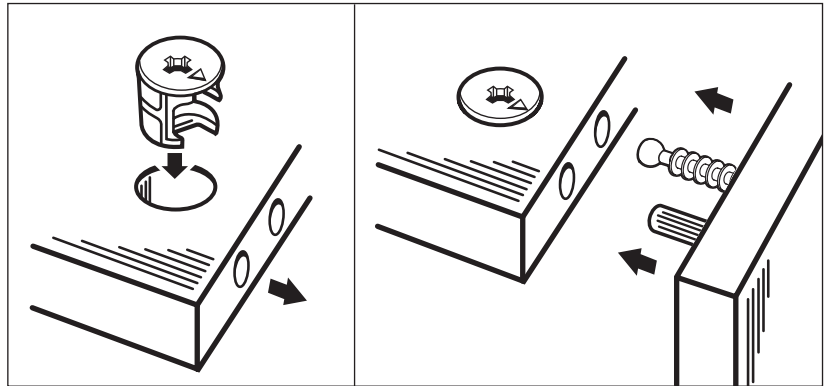
Insert the Minifix Cams into the appropriate holes with the arrow facing outwards as shown.

When screwing post into hole, **Do Not** over tighten. Screw post down until bottom face of post flange just touches board surface.



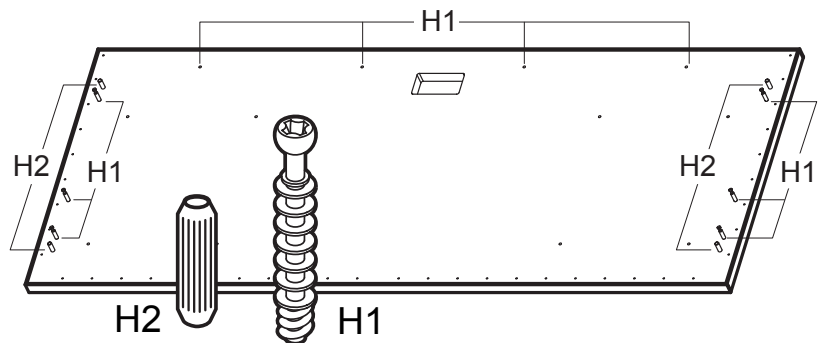
Using the #2 Phillips screwdriver, rotate the Cam Devices a half turn clockwise until snug.

To disassemble, turn the Cam Devices counter-clockwise and remove panels.



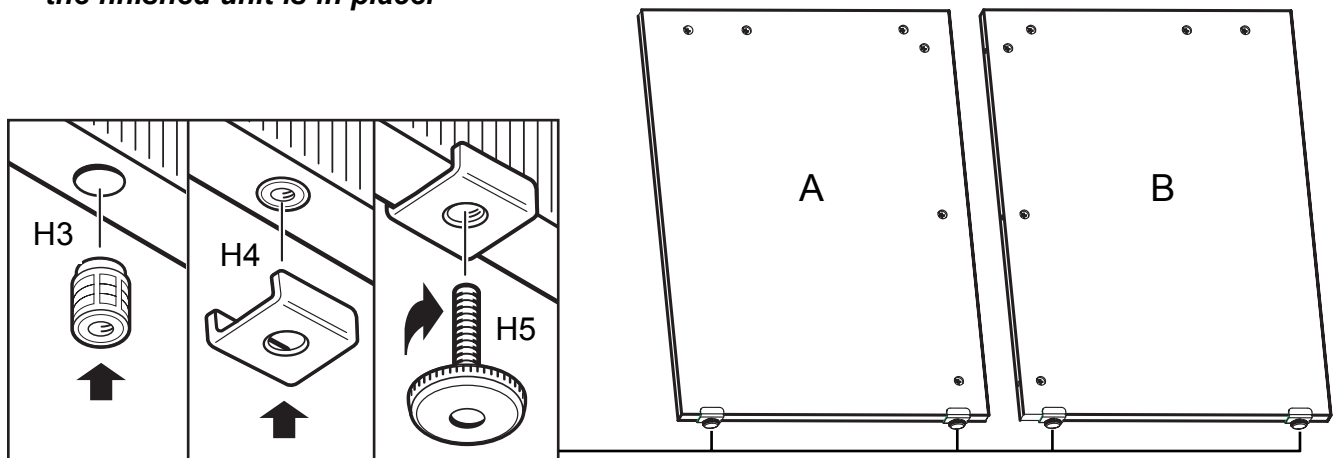
#1

Place the Top (C) on a clean, carpeted surface with the pre-drilled holes facing up. Screw ten Minifix Bolts (H1) and insert four Wood Dowels (H2) into the Top (C) where indicated.



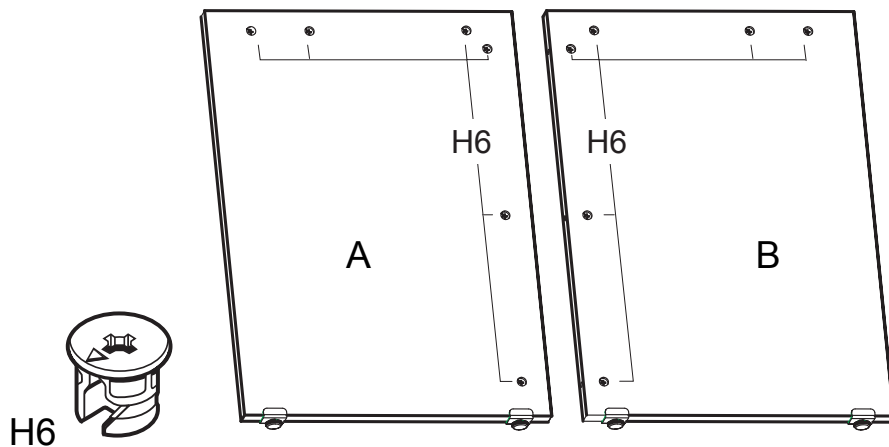
#2

Install Leveler Inserts (H3) into the bottom holes of Left Side Panel and Right Side Panel (B). Using a plastic mallet, tap until flush with the surface. Press a Leveler Bracket (H4) over each Leveler Insert. Screw the Levelers (H5) into the Leveler Inserts. **Adjust the Levelers when the finished unit is in place.**



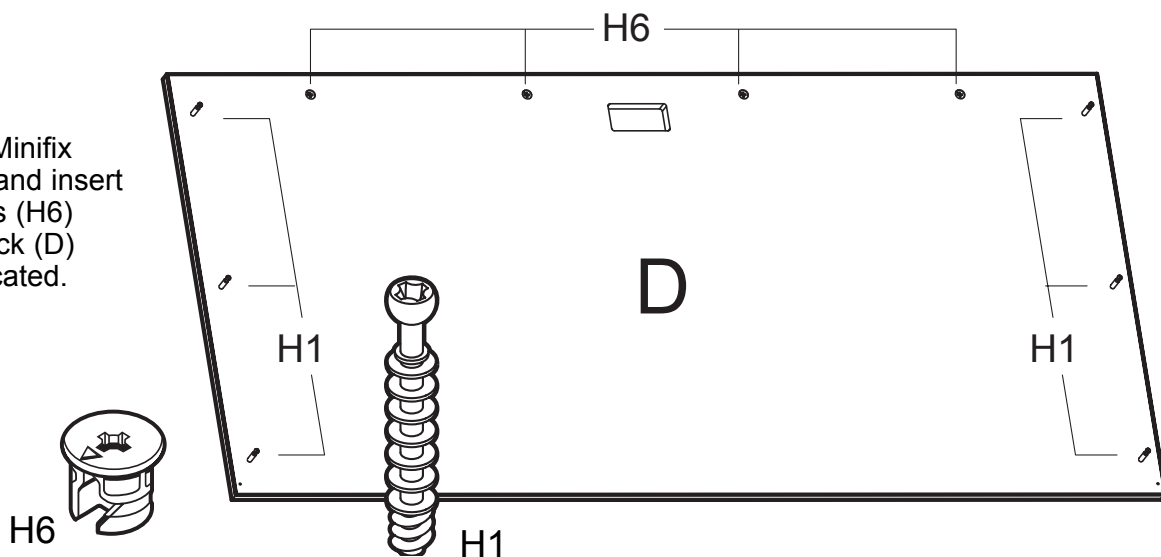
#3

Insert six Minifix Cams (H6) into each Side Panel (A & B) with the arrow of the cams facing out.



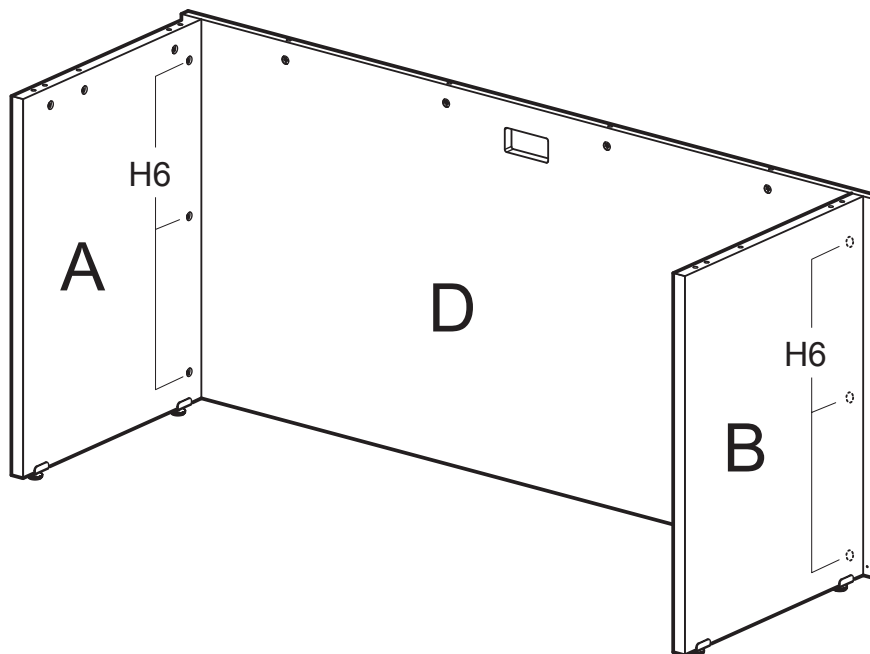
#4

Screw six Minifix Bolts (H1) and insert Minifixcams (H6) into the Back (D) where indicated.



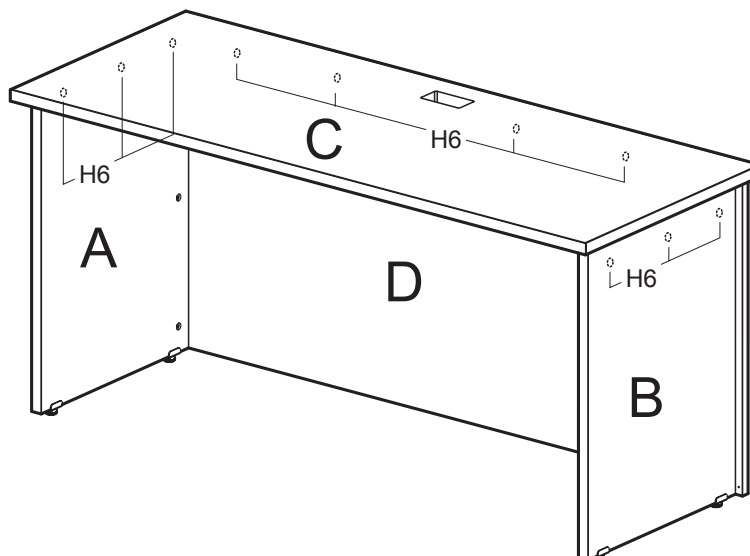
#5

Attach the Left Side (A) and Right Side (B) to the Back (D) as shown. Turn the Minifix Cams (H6) clockwise to tighten.



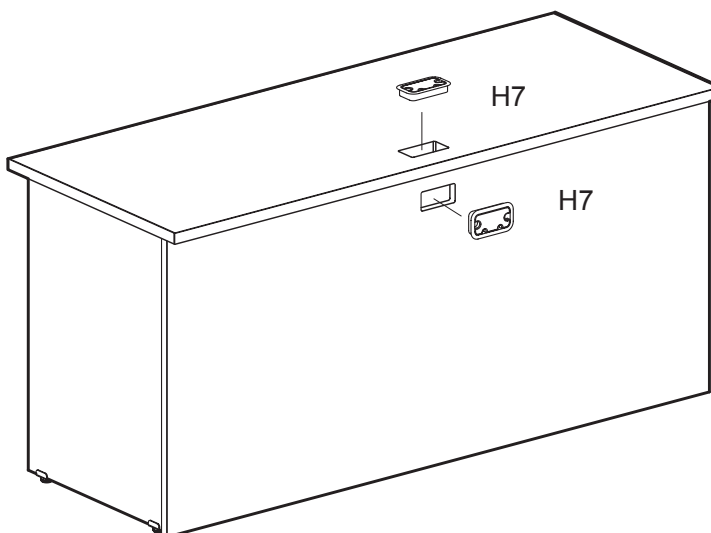
#6

With the assistance of another person, place the Top (C) onto the assembly as shown and turn the Cams (H6) clockwise to tighten.



#7

Insert Grommets (H7) into the cutouts in the Top and Back.



#8

The unit is now fully assembled and ready for use or connection to other Modular Series Units.

