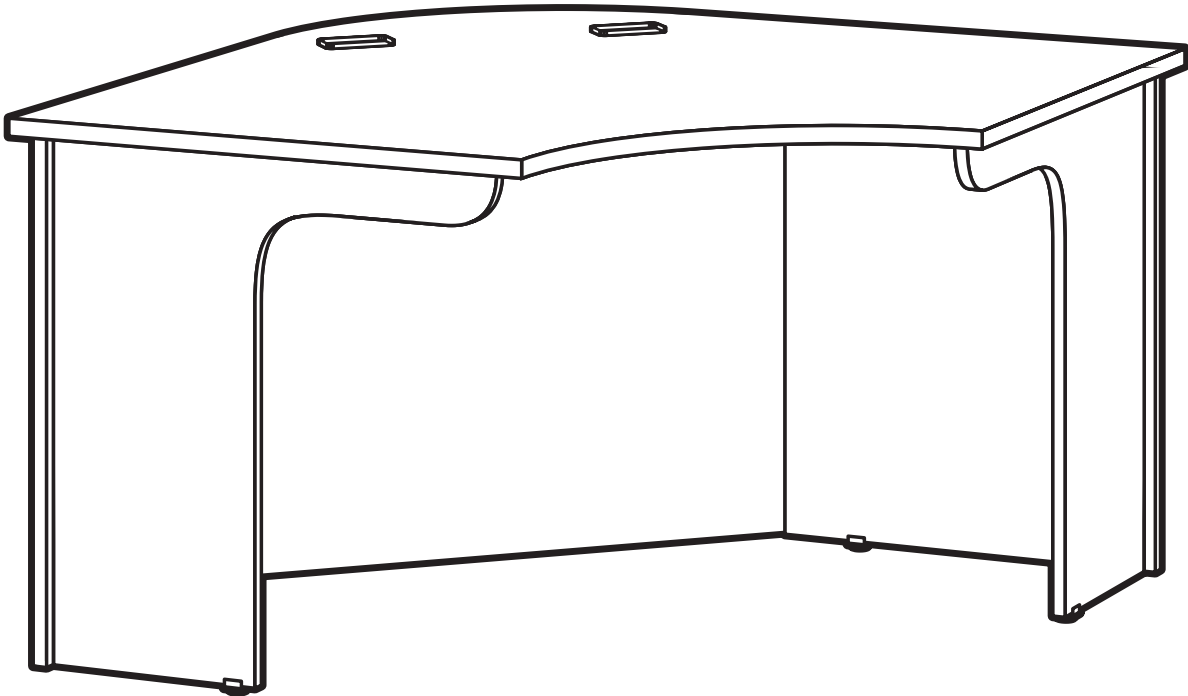




IRONWOOD

M4848

**CORNER
UNIT**



IMPORTANT!

Assembly may require the assistance of another person.

Before you begin assembly:

READ THE DIRECTIONS all the way through one time. This will speed up the process and help you understand the sequence of steps.

COUNT THE PARTS AND HARDWARE before assembly. This ensures you have received all necessary parts before you begin.

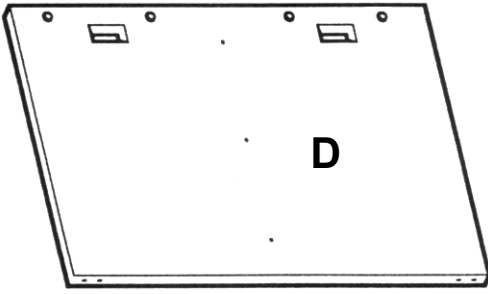
TOOLS: You may need a Phillips head screwdriver, a medium slotted screwdriver or a plastic mallet. To protect your new furniture from damage during assembly, it is recommended to work on a carpeted surface.

In the event any parts are missing from this package, send your name, address, telephone number, and a description of the missing part(s) to: **PARTS, Box 1420, Missoula, MT 59806** or call: **1-800-769-5693** or **FAX 1-800-445-5281**.

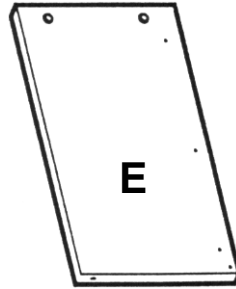
CAUTION: On assemblies requiring glue, make sure the unit is assembled correctly before gluing. Once this unit is assembled with glue, the manufacturer will not be responsible for damaged parts. Keep a damp cloth or sponge handy to wipe off excess glue.

To care for this furniture, simply wipe with a cloth dampened with glass cleaner containing ammonia-D.

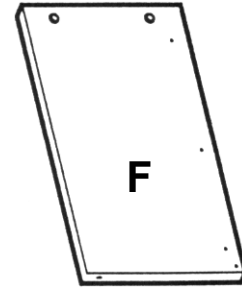
PARTS DIAGRAM



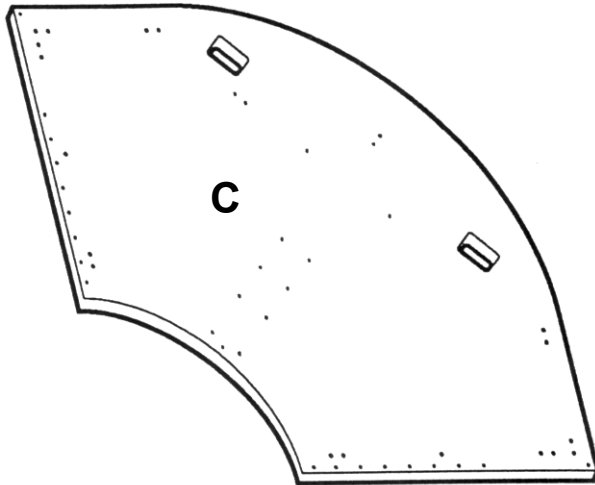
Modesty Panel	02320677	1 ea.
---------------	----------	-------



Left Back Panel	02320653	1 ea.
-----------------	----------	-------



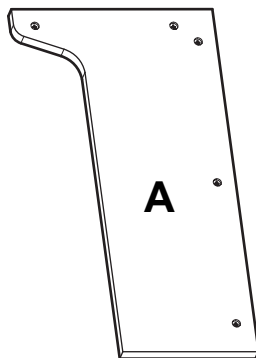
Right Back Panel	02320654	1 ea.
------------------	----------	-------



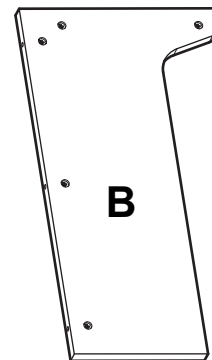
Top	02320601	1 ea.
-----	----------	-------



Support Leg	02320698	1 ea.
-------------	----------	-------



Left End Panel	02320241	1 ea.
----------------	----------	-------



Right End Panel	02320241	1 ea.
-----------------	----------	-------

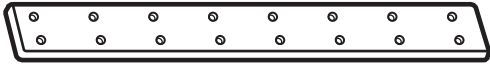
HARDWARE



H1	Minifix Bolt	909834	19 ea.
----	--------------	--------	--------



H2	Wood Dowel	195000	9 ea.
----	------------	--------	-------



H3	18" Connector Plate	411270	2 ea.
----	---------------------	--------	-------



H4	#8 x 3/4" Panhead Screw	901208	40 ea.
----	-------------------------	--------	--------



H5	Minifix Cam	909810	19 ea.
----	-------------	--------	--------



H6	Leveler Insert	274650	4 ea.
----	----------------	--------	-------



H7	Small Leveler Bracket	402303	1 ea.
----	-----------------------	--------	-------



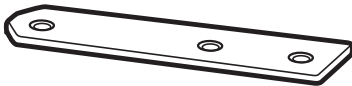
H8	Leveler	300870	4 ea.
----	---------	--------	-------



H9	Confirmat Screw	950100	3 ea.
----	-----------------	--------	-------



H11	Large Leveler Bracket	402302	4 ea.
-----	-----------------------	--------	-------



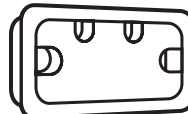
H12	Corner Bracket	411170	2 ea.
-----	----------------	--------	-------



H13	#8 x 1" Panhead Screw	901227	6 ea.
-----	-----------------------	--------	-------



H14	J-Bracket	411470	2 ea.
-----	-----------	--------	-------

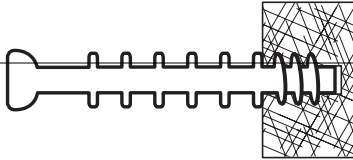
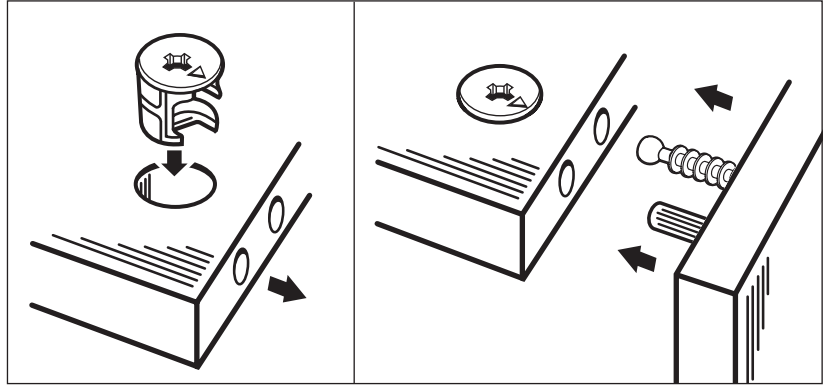


H15	Grommet	286580	4 ea.
-----	---------	--------	-------

Using the Minifix System:

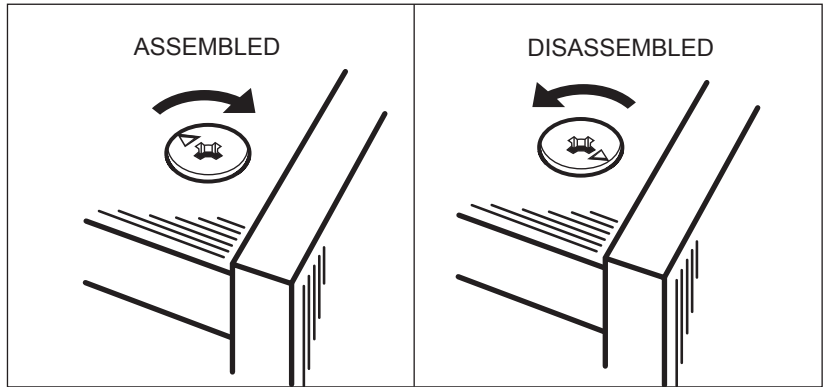
Insert the Minifix Cams into the appropriate holes with the arrow facing outwards as shown.

When screwing post into hole, **Do Not** over tighten. Screw post down until bottom face of post flange just touches board surface.



Using the #2 Phillips screwdriver, rotate the Cam Devices a half turn clockwise until snug.

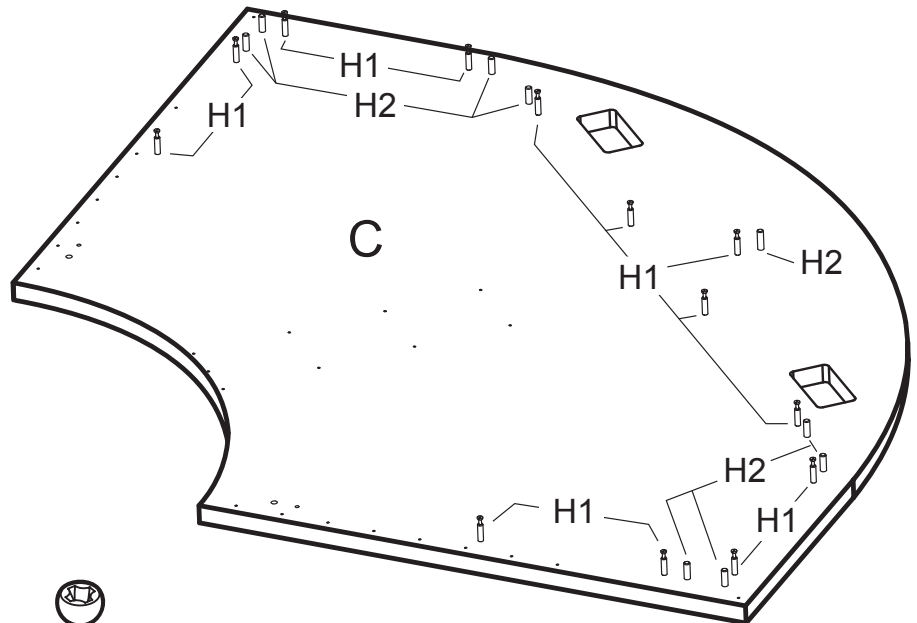
To disassemble, turn the Cam Devices counter-clockwise and remove panels.



#1

Place the Top Panel (C) on a clean, carpeted surface with the pre-drilled holes facing up. Screw 13 Minifix Bolts (H1) into the Top Panel where indicated.

Insert nine Wood Dowels (H2) into the Top Panel where indicated.



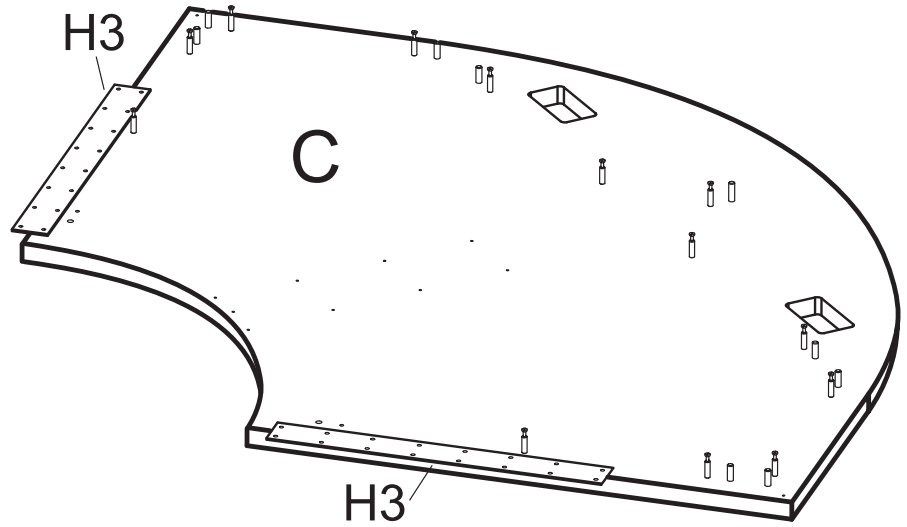
H2

H1



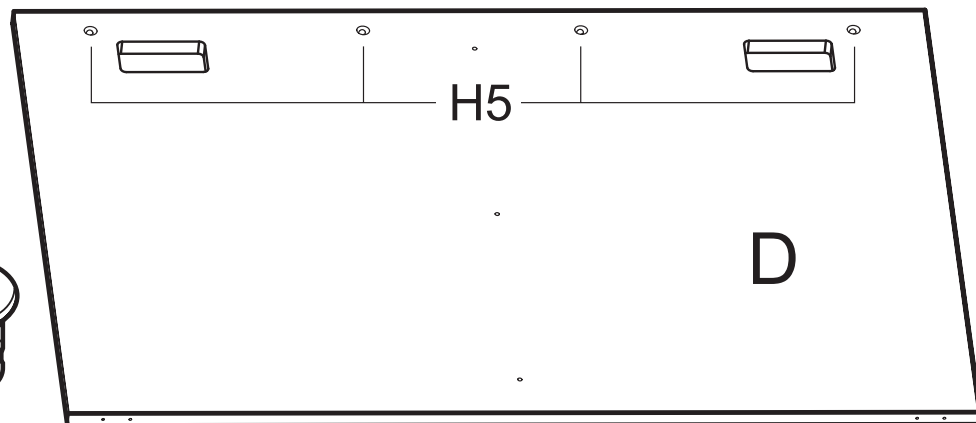
#2

Position 18" connector Plates (H3) in the locations appropriate to the units to be attached. Secure the Plates in place using sixteen #8 x 3/4" Panhead Screws (H4) in the pre-drilled holes of the Top.



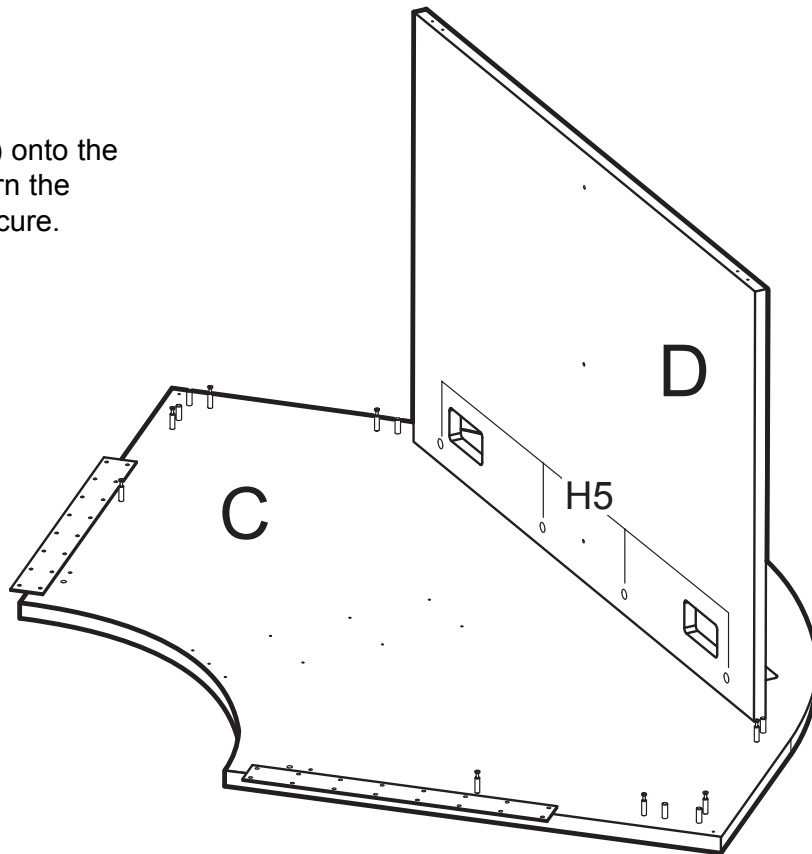
#3

Insert four Minifix Cams (H5) into the Modesty Panel (D) with the arrows facing out.



#4

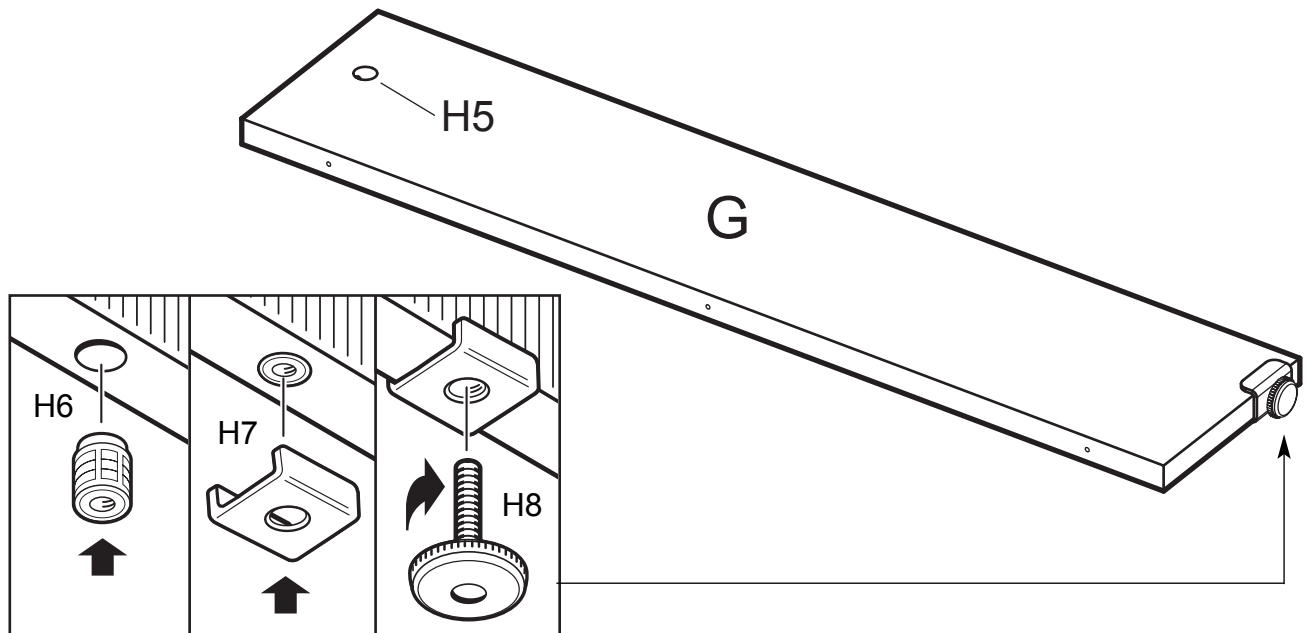
Position Modesty Panel (D) onto the posts of the Top (C) and turn the Cams (H5) clockwise to secure.



#5

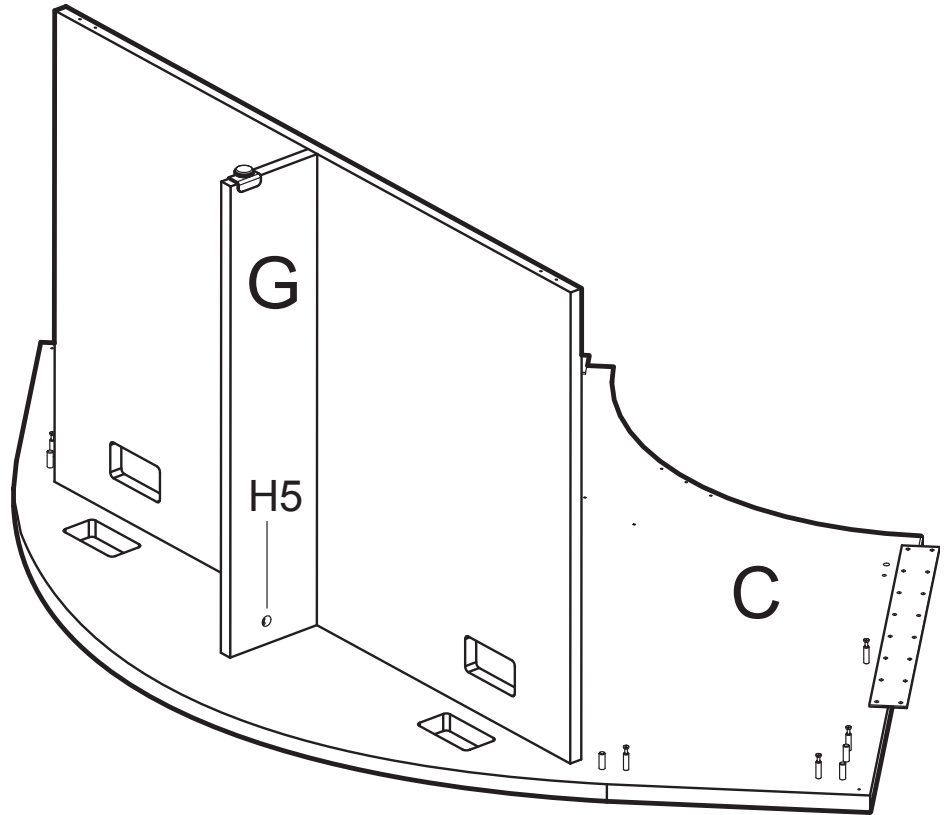
Insert a Minifix Cam (H5) into the Support Leg (G) with the arrow facing out.

Insert a Leveler Insert (H6) into the hole in the bottom edge of Support Leg (G) and using a plastic mallet, tap until flush with the surface. Press a **Small** Leveler Bracket (H7) over into the Leveler Insert. Screw a Leveler (H8) into the Leveler Insert.



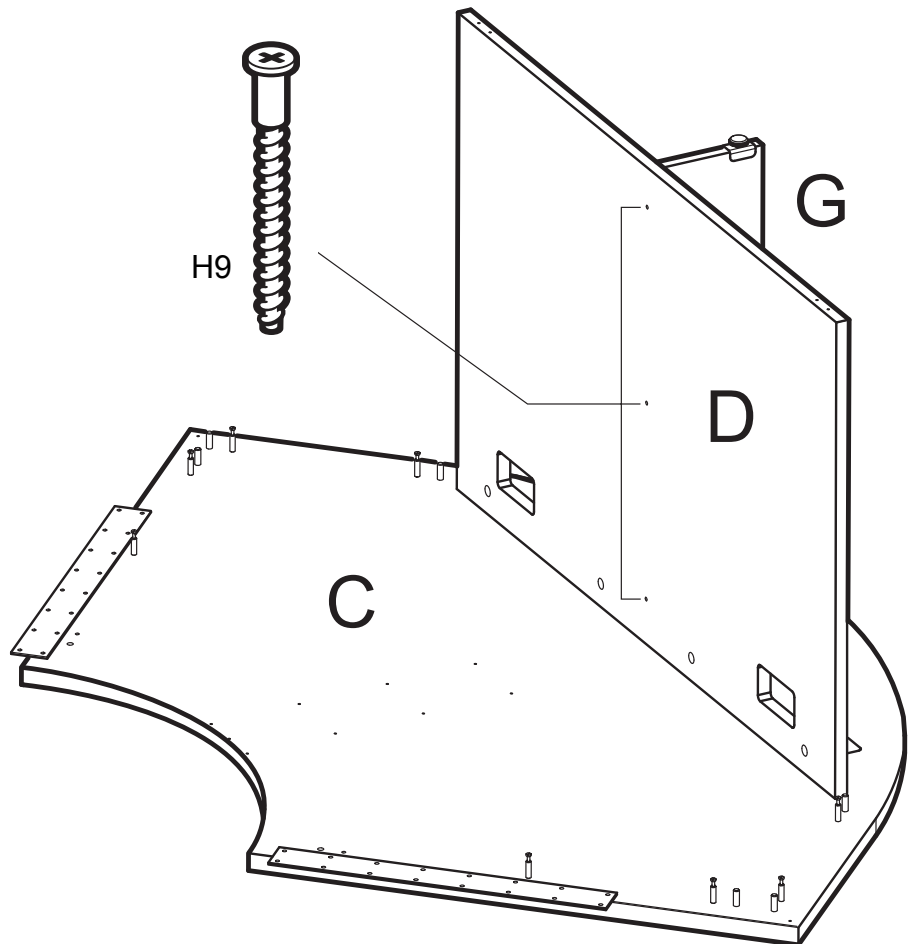
#6

Position the Support Leg (G) onto the Top (C) and turn the Minifix Cam (H5) clockwise to secure.



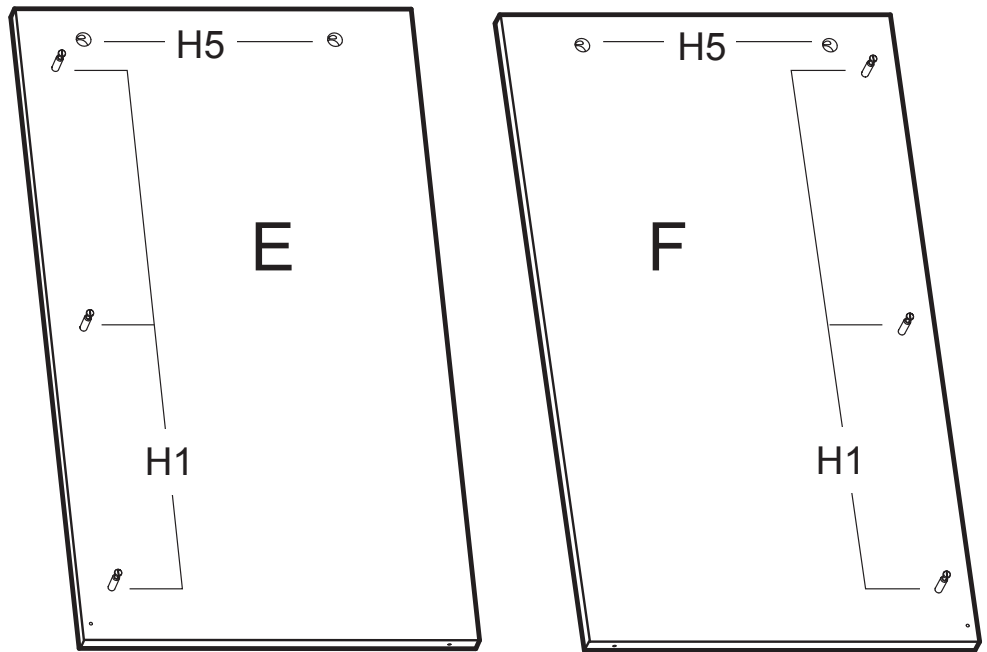
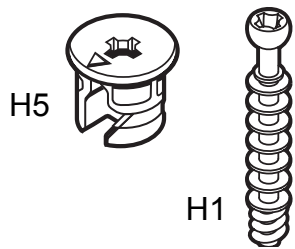
#7

Secure the Support Leg (G) to the Modesty Panel (D) using three Confirmat Screws (H9). Tighten the Confirmat Screws.



#8

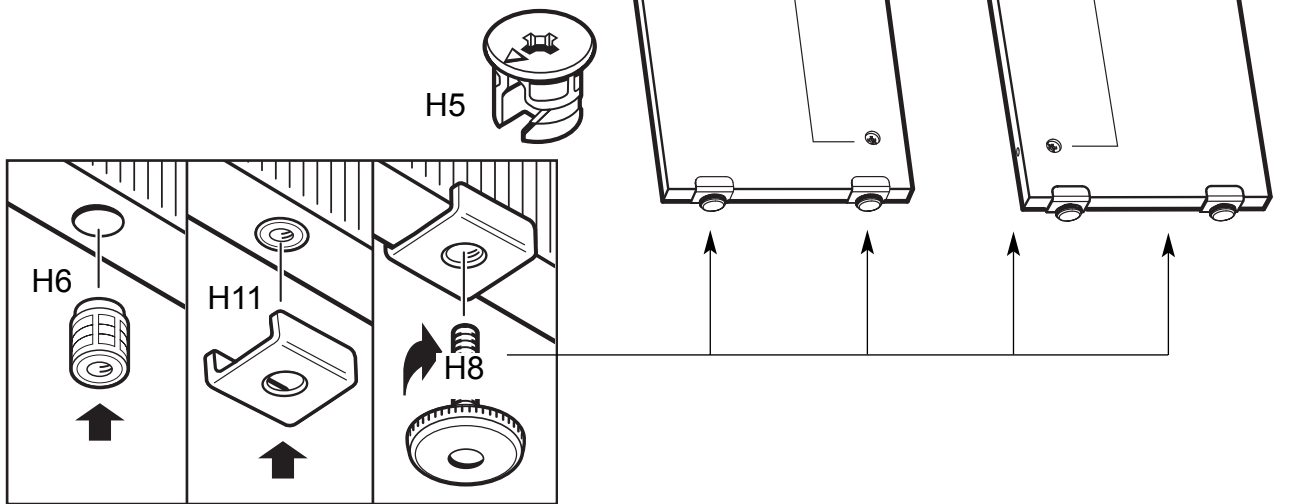
Insert Minifix Cams (H5) into the Left and Right Back Panel (E & F) with the arrows facing out. Screw six Minifix Bolts (H1) into the holes where indicated.



#9

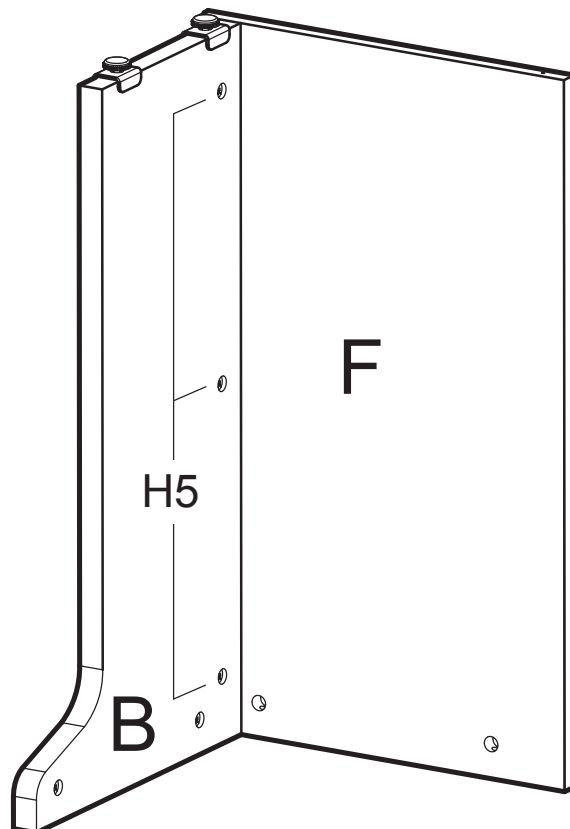
Insert Minifix Cams (H5) into the Left End Panel (A) and the Right End Panel (B) with the arrows facing out.

Insert the Leveler Inserts (H6) into the holes in the bottom edges of each Panel and using a plastic mallet, tap until flush with the surface. Press a Large Leveler Bracket (H11) over each Leveler Insert. Press a Large Leveler Bracket (H11) over each Leveler Insert.



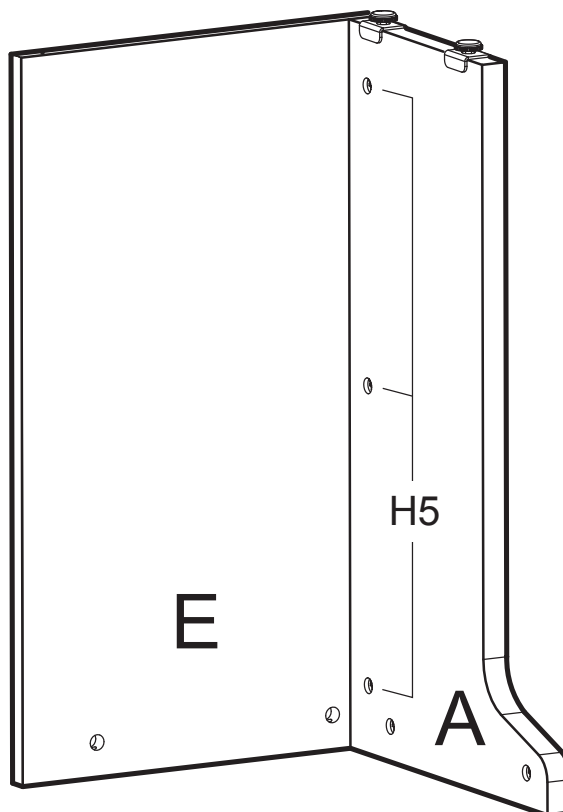
#10

Assemble the Right Back (F) to the bolts of the Right End Panel (B) and turn the Minifix Cams (H5) clockwise to secure.



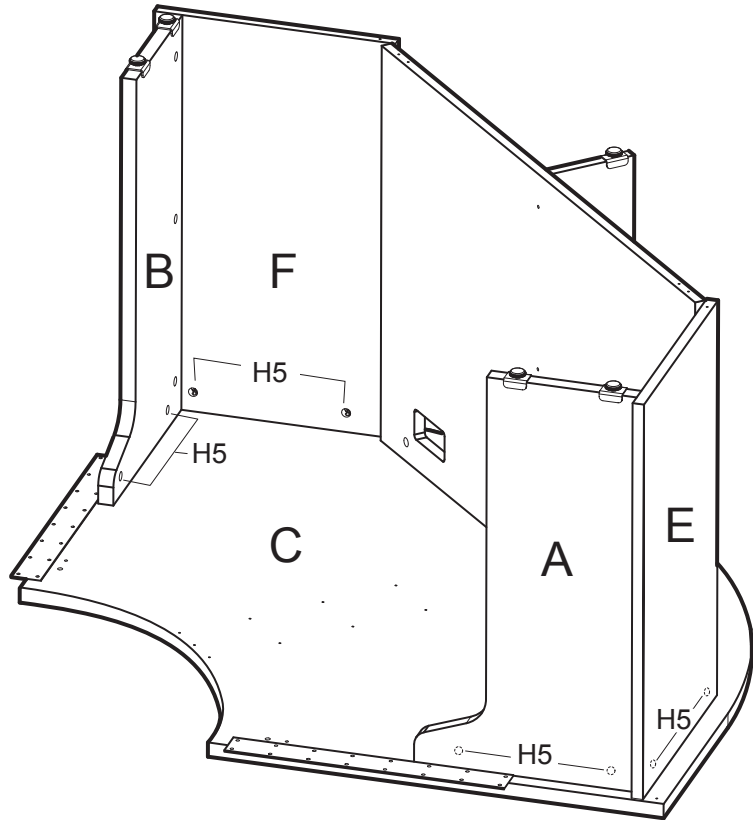
#11

Assemble the Left Back (E) on to the bolts of the Left End Panel (A) and turn the Minifix Cams (H5) clockwise to secure.



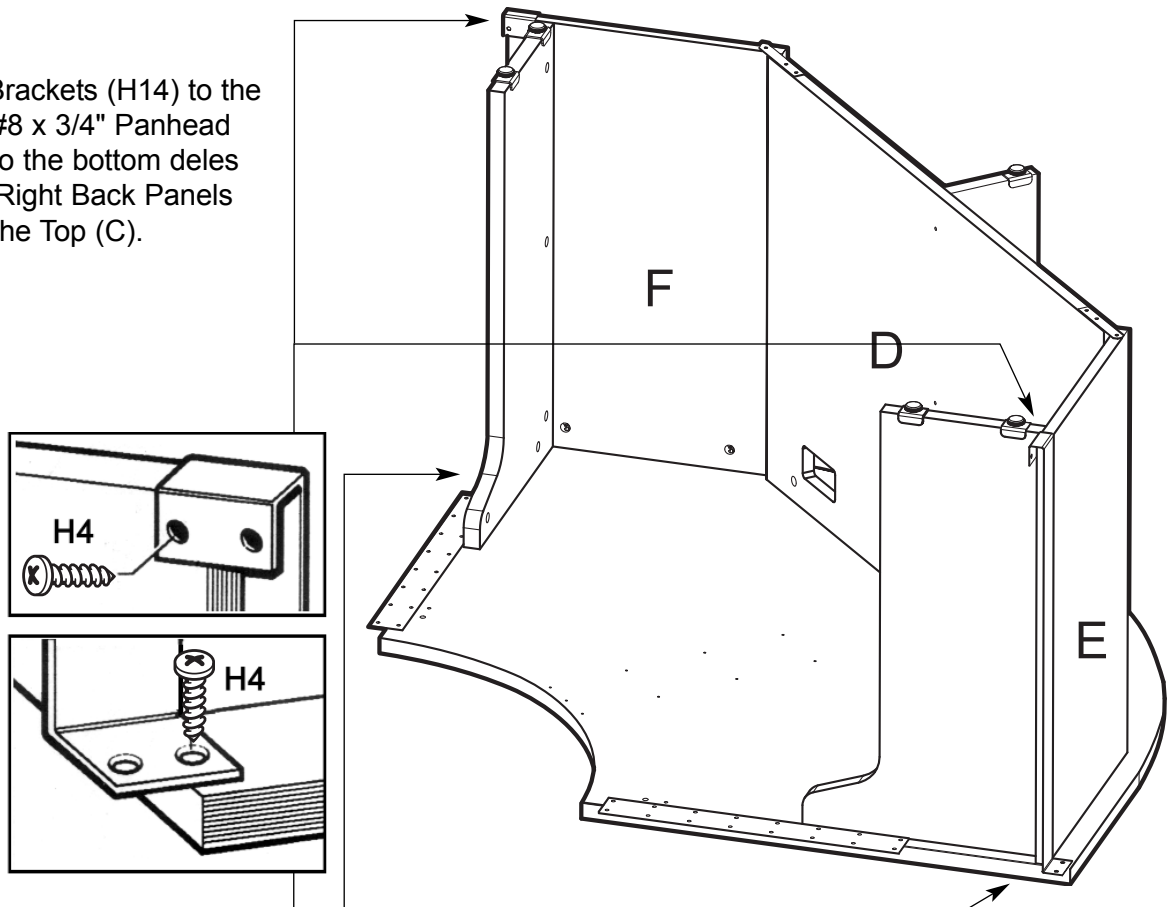
#12

Position the Right and Left Side Assemblies (B & F; A & E) onto the bolts and dowels of the Top (C) and turn the Minifix Cams (H5) clockwise to secure.



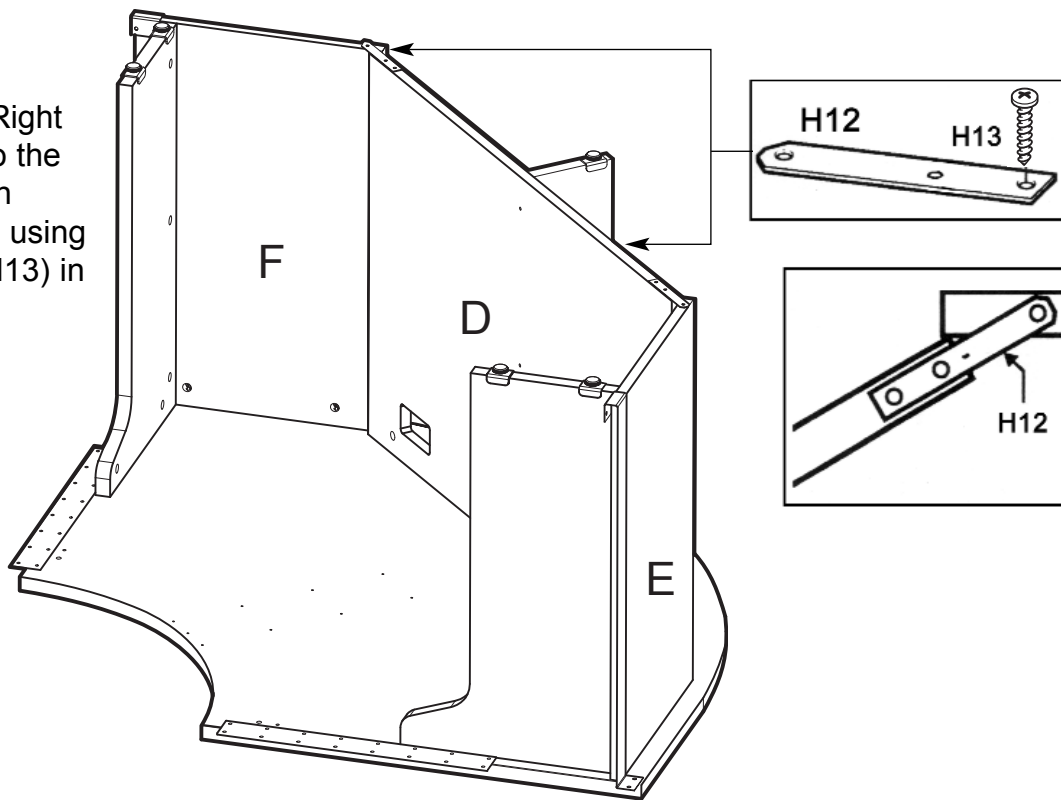
#13

Attach two "J" Brackets (H14) to the unit using four #8 x 3/4" Panhead Screws (H4) into the bottom deles of the Left and Right Back Panels (E & F) and to the Top (C).



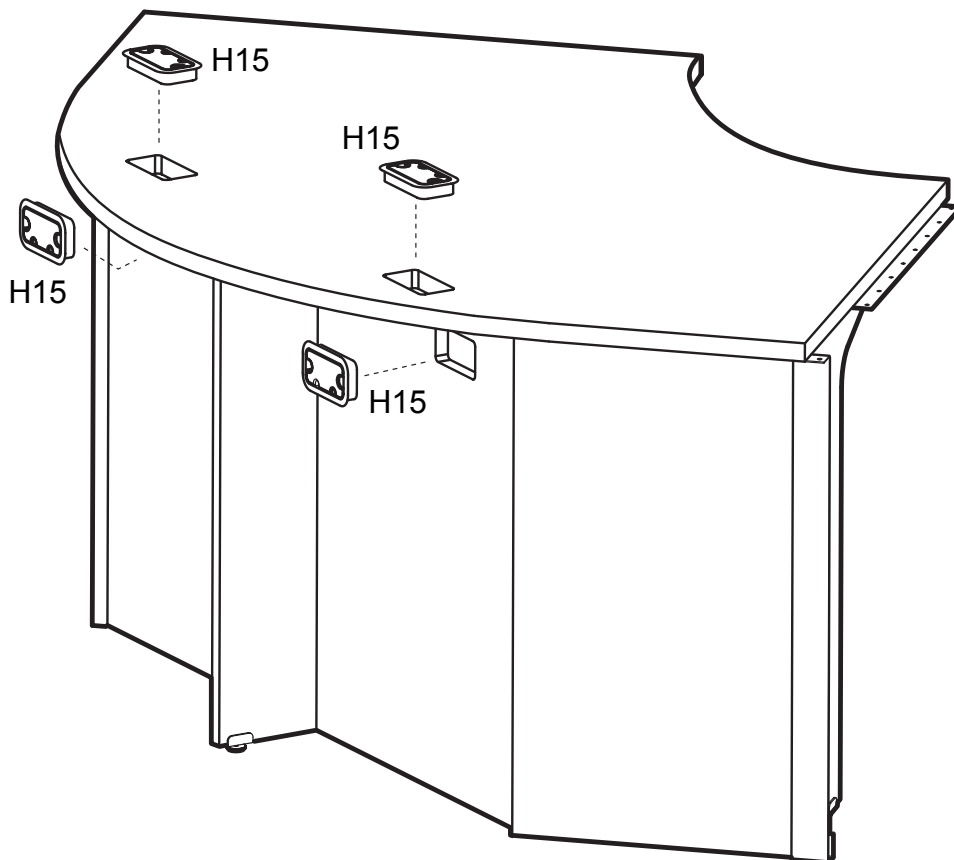
#14

Connect the Left and Right Back Panels (E & F) to the Modesty Panel (D) with Corner Brackets (H12) using 1" Panhead Screws (H13) in the pre-drilled holes.



#15

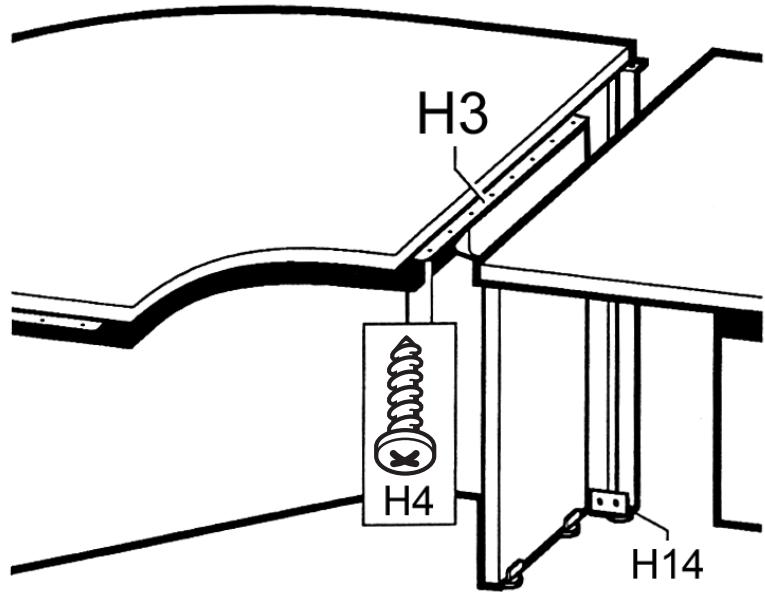
With the assistance of another person, turn the unit upright. Insert Grommets (H15) into the Top and Modesty Panel.



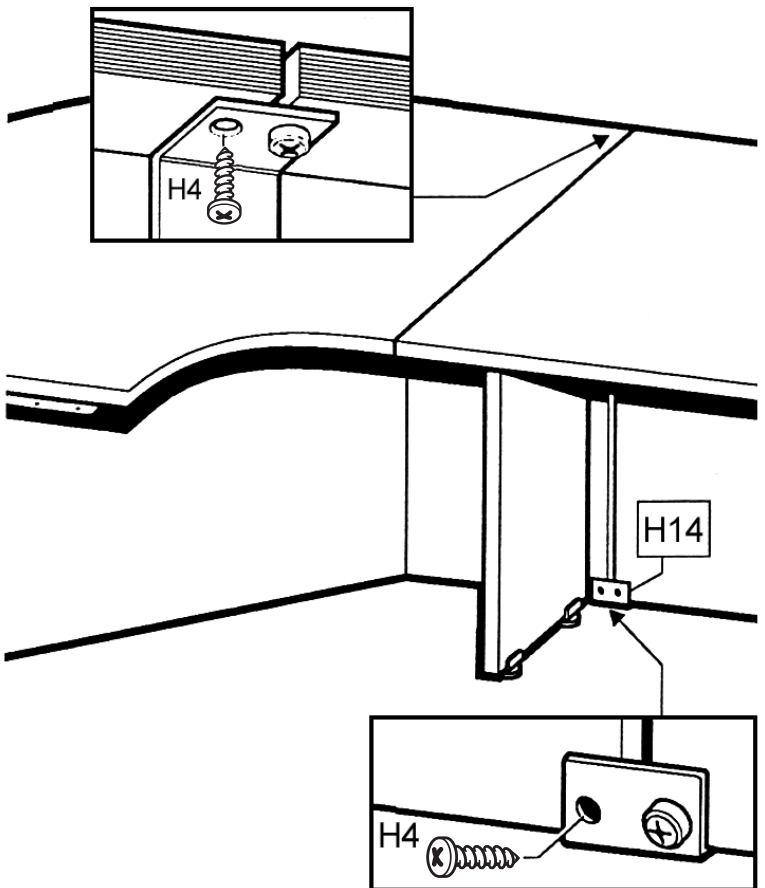
CONNECTING OTHER UNITS:

Important Note: Remove the side panel (and associated hardware) from the attaching end of the desk shell to be connected.

Position the top panel and the back panel of the desk shell simultaneously into the "J" Bracket and onto the Connector Plate of the corner unit. Slide the Back panel of the desk into the "J" Bracket of the corner unit. Secure the desk shell to the corner unit using #8 x 3/4" Panhead Screws through the Connector Plates and into the pre-drilled holes of the underside of the desk shell top.



Secure the "J" Bracket to the desk shell using two #8 x 3/4" Panhead Screws.



Attach the other desk shell to the other side of the Corner Connector in the same manner.