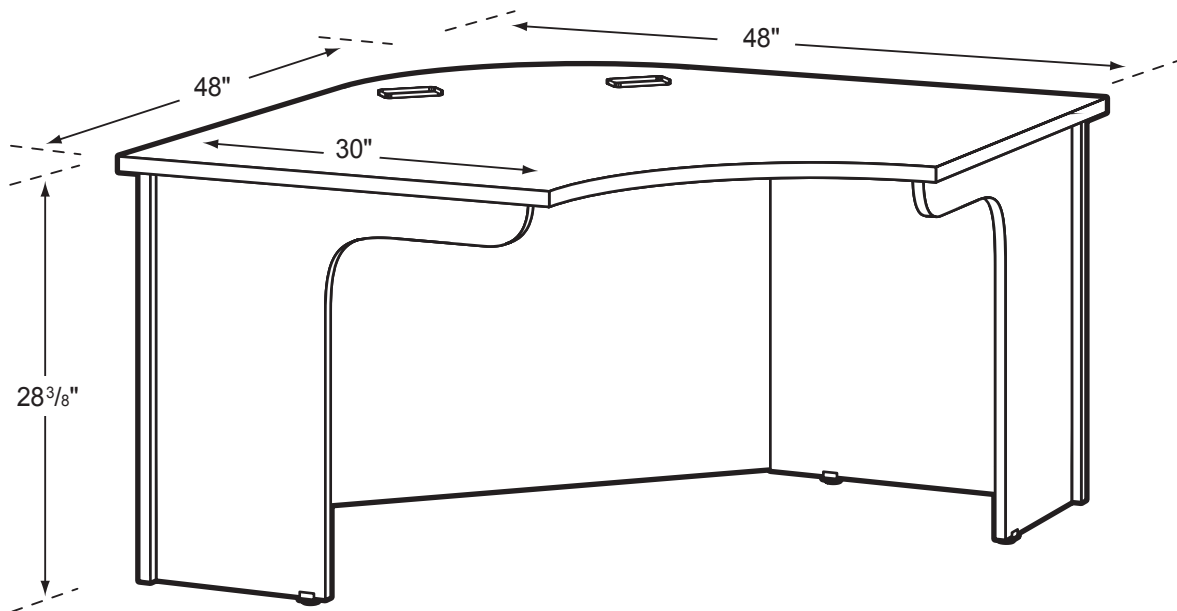




# M4848

## Corner Workstation



### Product Specs

- 1" thermal fused laminate sides and top
- 3/4" thermal fused laminate modesty
- Cam and post construction
- Matched edge banding
- Two - 2"x 4" grommets with covers
- Adjustable leveling glides