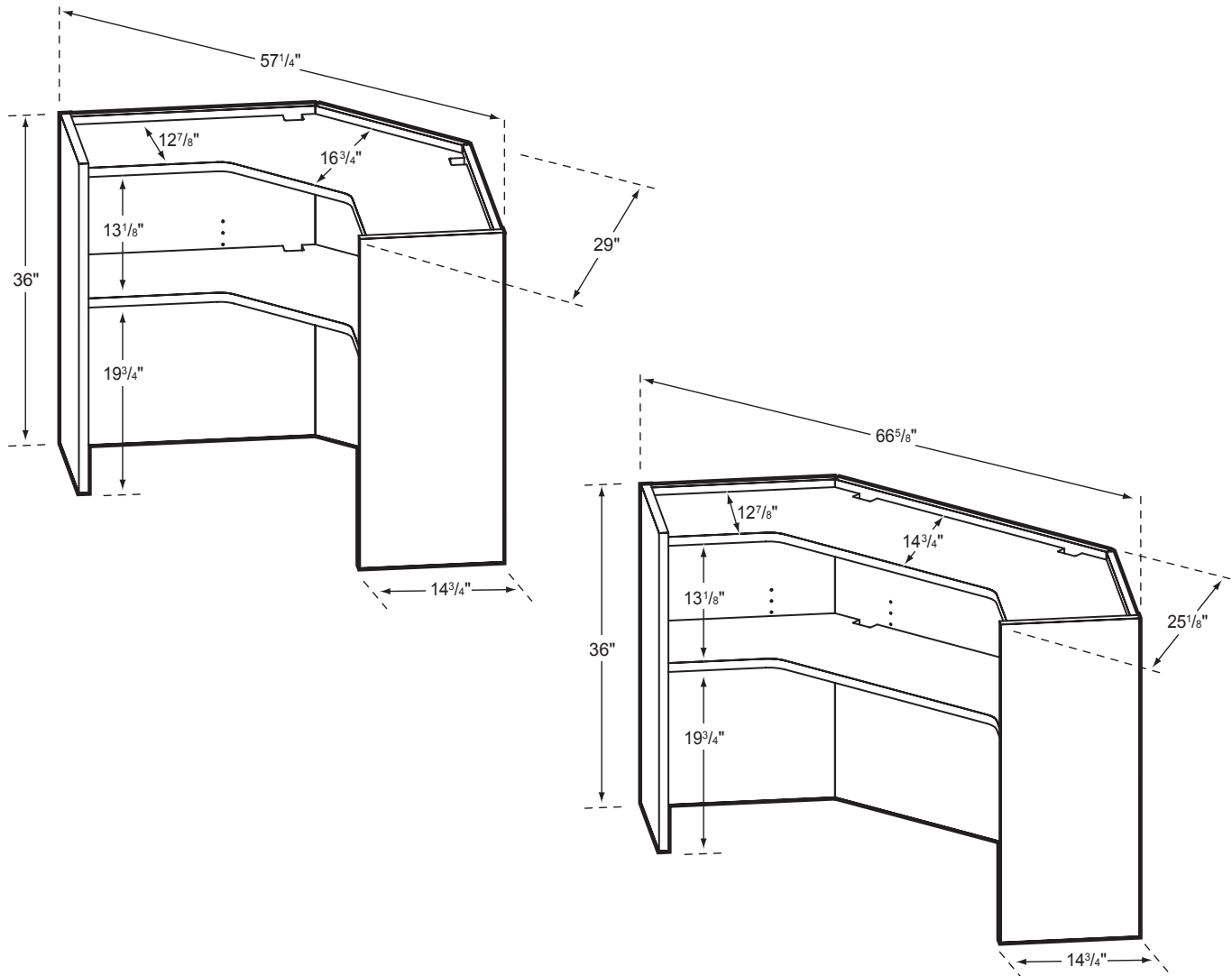


MCH42/48

Corner Hutch



Product Specs

- 1" thermal fused laminate top, sides and shelf
- 3/4" thermal fused laminate back
- Cam and post construction
- Matched edge banding
- Wire cutouts