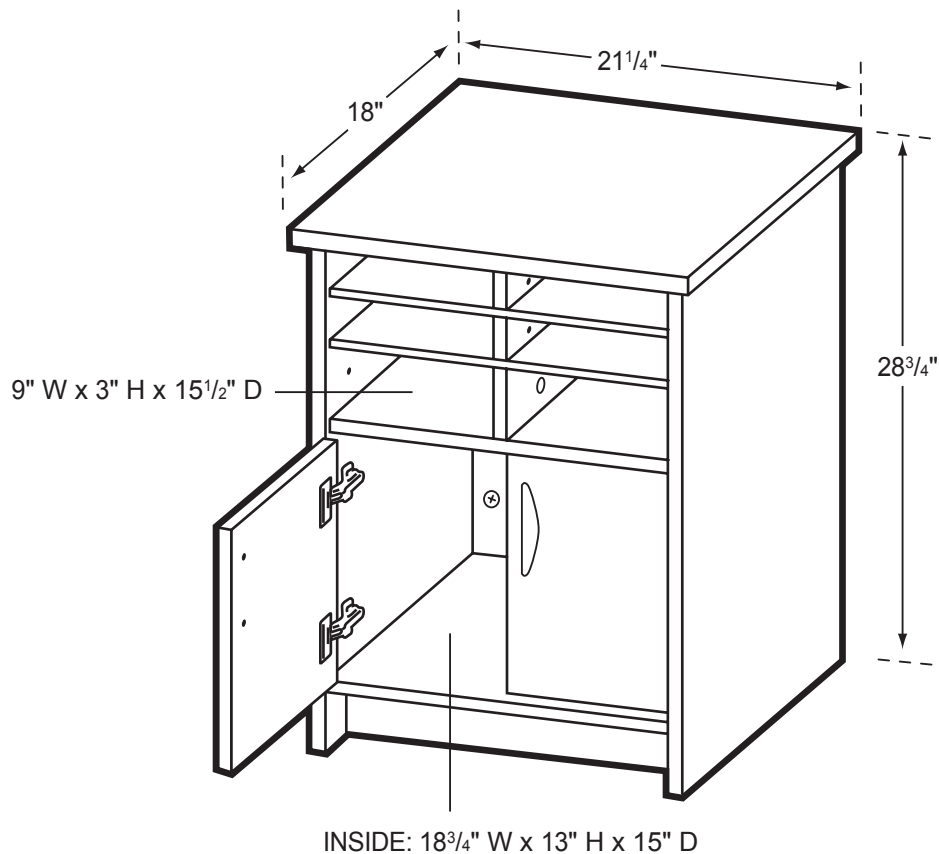


MMS

Machine Stand



Product Specs

- 1" thermal fused laminate top
- 3/4" thermal fused laminate sides, back, bottom, kick, and doors
- Cam and post construction
- Matched edge banding
- 7" hardboard shelf w/ label holder
- Shelves adjust on 1-1/4" increments
- Turn out storage tray
- Concealed hinges