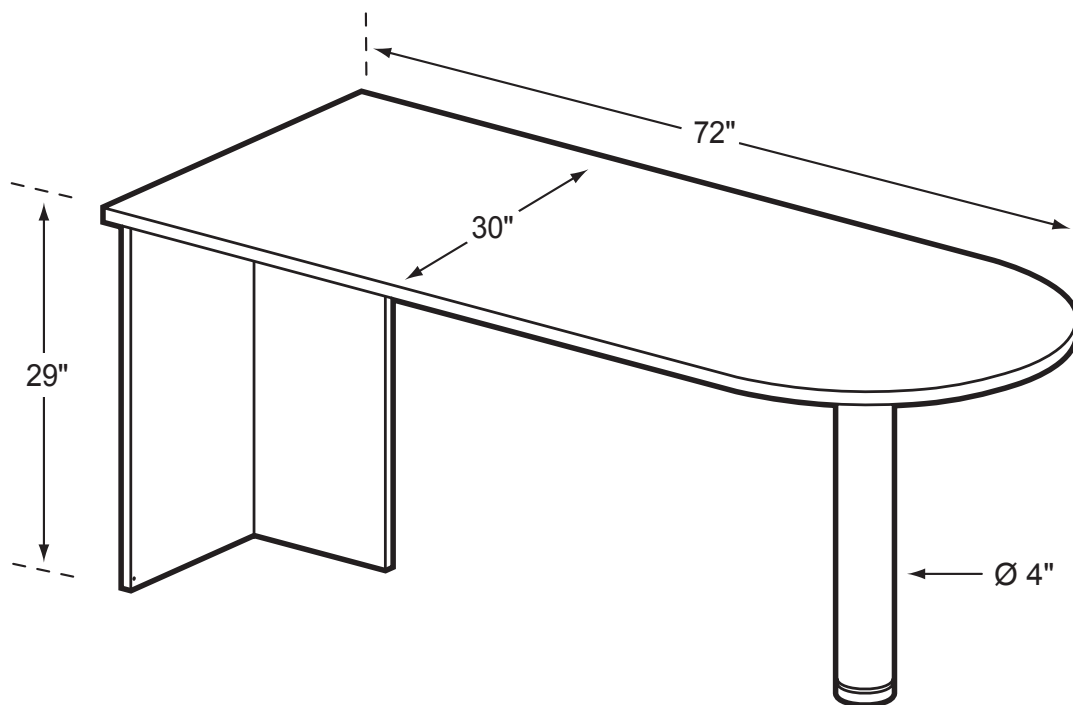




# MPNF72

## Free Standing Peninsula



### Product Specs

- 1" thermal fused laminate top and side
- 1/2" thermal fused laminate modesty
- Cam and post construction
- Matched edge banding
- 4" - 16 gage support leg
- Adjustable leveling glides

0208