

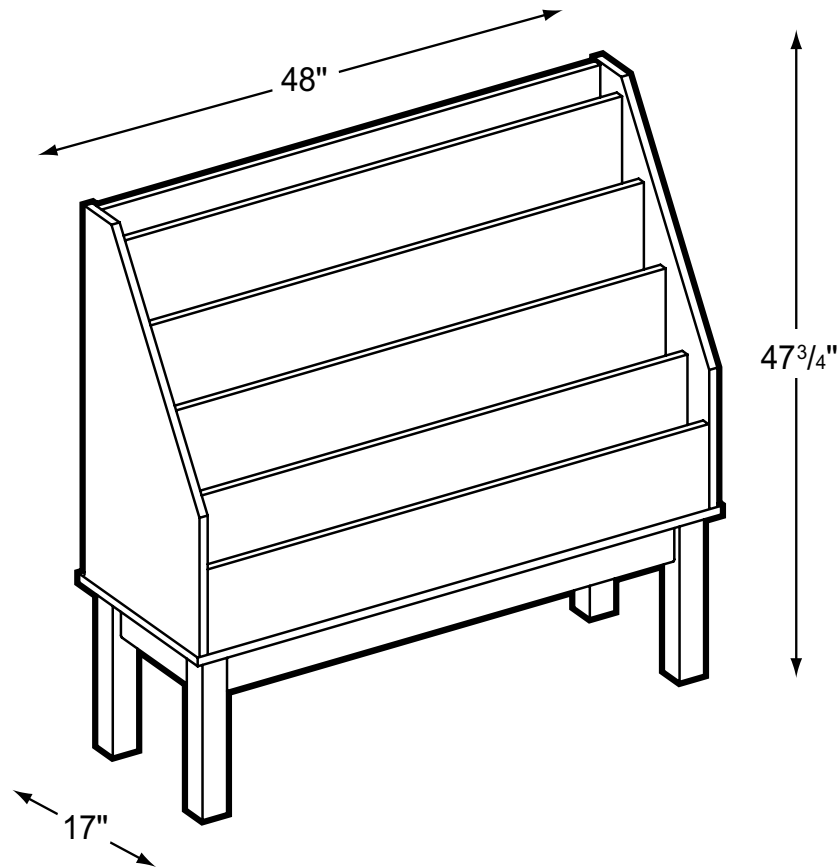


IRONWOOD
MANUFACTURING

VISION SERIES

VS-3003

Magazine Display



Product Specs

- 1" HPL top
- Natural or medium finish
- 3/4" x 1 1/2" solid oak molding on leading edges
- 2 1/4" solid oak legs
- 1/4" Leg connector plate
- Adjustable glides
- 2 3/8" solid oak skirt
- Solid oak hangers
- 5 newspaper rods
- Custom finish available per quote

0612

Ironwood Manufacturing • P.O. Box 1420 • Missoula, Montana 59806
(406) 721-4747 • (800) 769-5693 • fax (406) 721-8424 • www.ironwoodmfg.com