

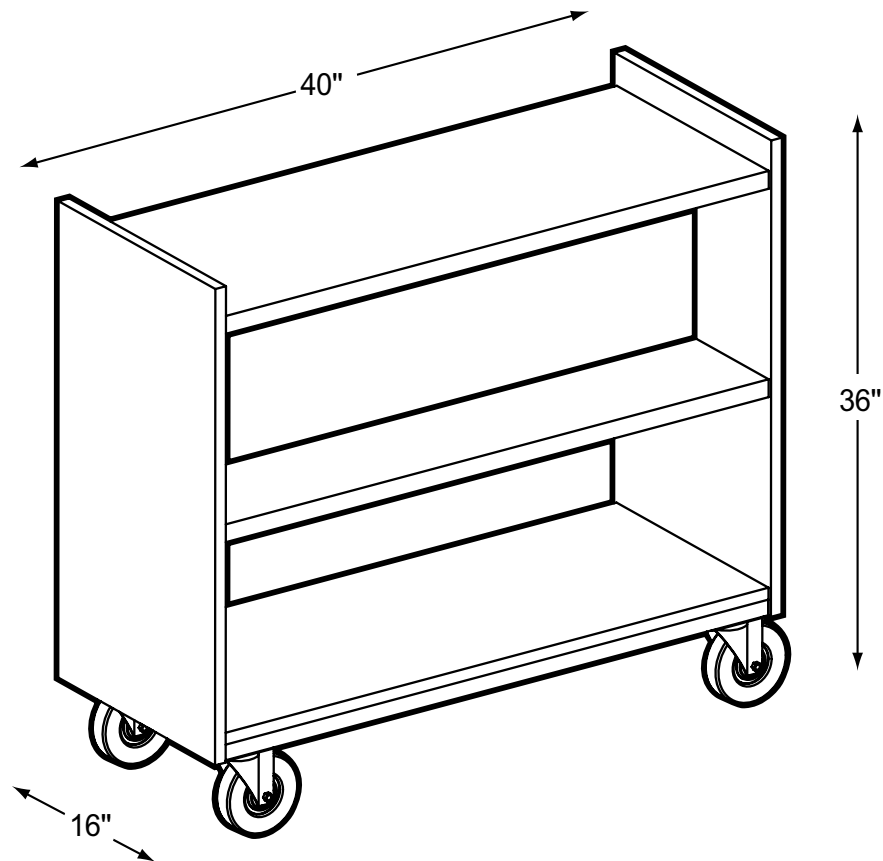


IRONWOOD
MANUFACTURING

VISION SERIES

VS-3013

Book Truck



Product Specs

- 3/4" color selected plain sliced veneer
- Natural or medium finish
- 3mm oak edge banding
- 3/4" x 1 1/2" solid oak molding on leading edges
- Fully welded unitized bottom frame
- 10 ga. angle iron
- 3/16" caster mounting plates
- 5" casters (2 locking)

0612