

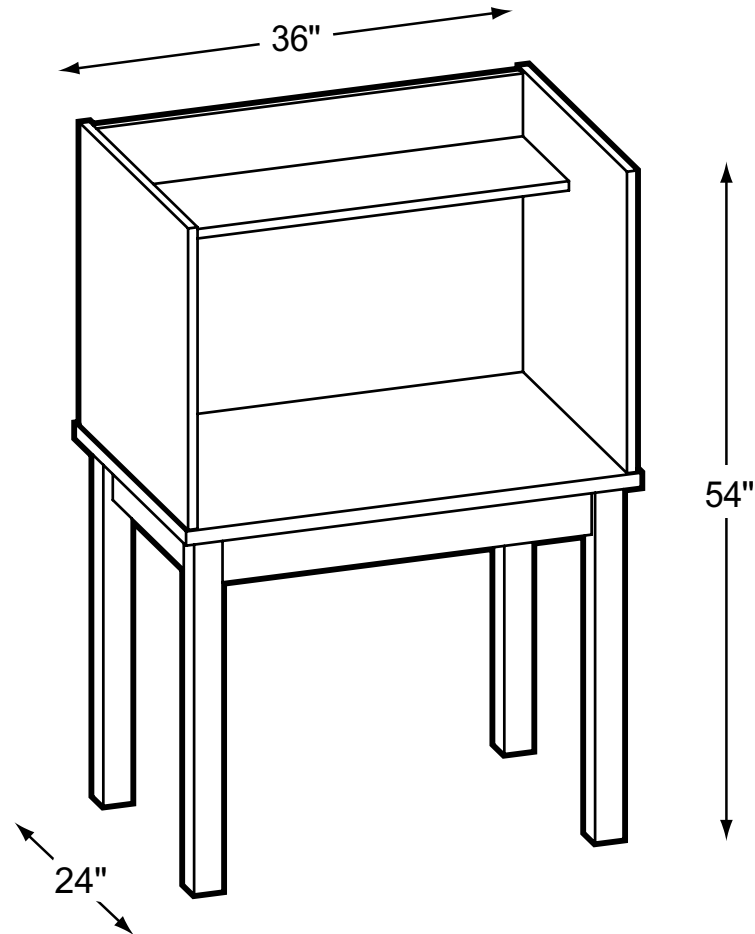


IRONWOOD
MANUFACTURING

VISION SERIES

VS-3021

Single Study Carrel



Product Specs

- 1" HPL top
- 3/4" color selected plain sliced veneer
- Natural or Medium finish
- 3mm oak edge banding
- 3/4" x 1 1/2" solid oak molding on leading edges
- 2 1/4" solid oak legs
- 1/4" leg connector plate
- Adjustable glides
- 2 3/8" solid oak skirt
- 80mm grommet
- Custom finish available per quote

0612

Ironwood Manufacturing • P.O. Box 1420 • Missoula, Montana 59806
(406) 721-4747 • (800) 769-5693 • fax (406) 721-8424 • www.ironwoodmfg.com