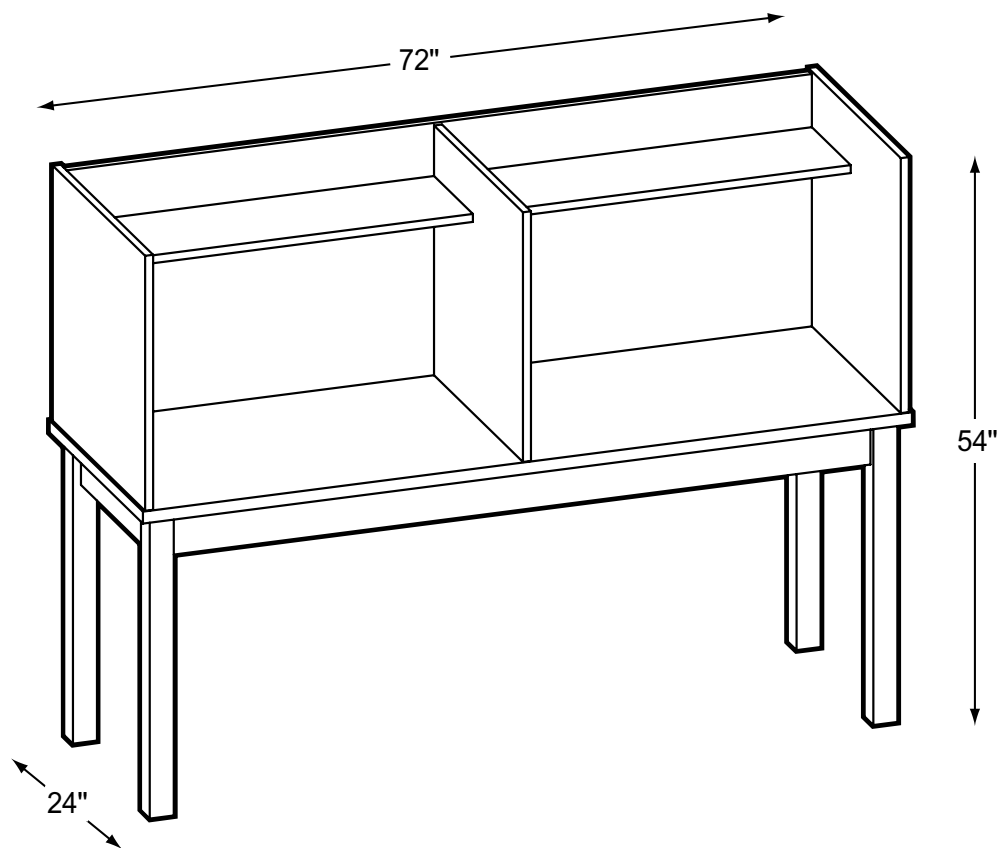


VISION SERIES
VS-3023

**Side-by-Side
Study Carrel**



Product Specs

- 1" HPL top
- 3/4" color selected plain sliced veneer
- Natural or Medium finish
- 3mm oak edge banding
- 3/4" x 1 1/2" solid oak molding on leading edges
- 2 1/4" solid oak legs
- 1/4" leg connector plate
- Adjustable glides
- 2 3/8" solid oak skirt
- 80mm grommet
- Custom finish available per quote