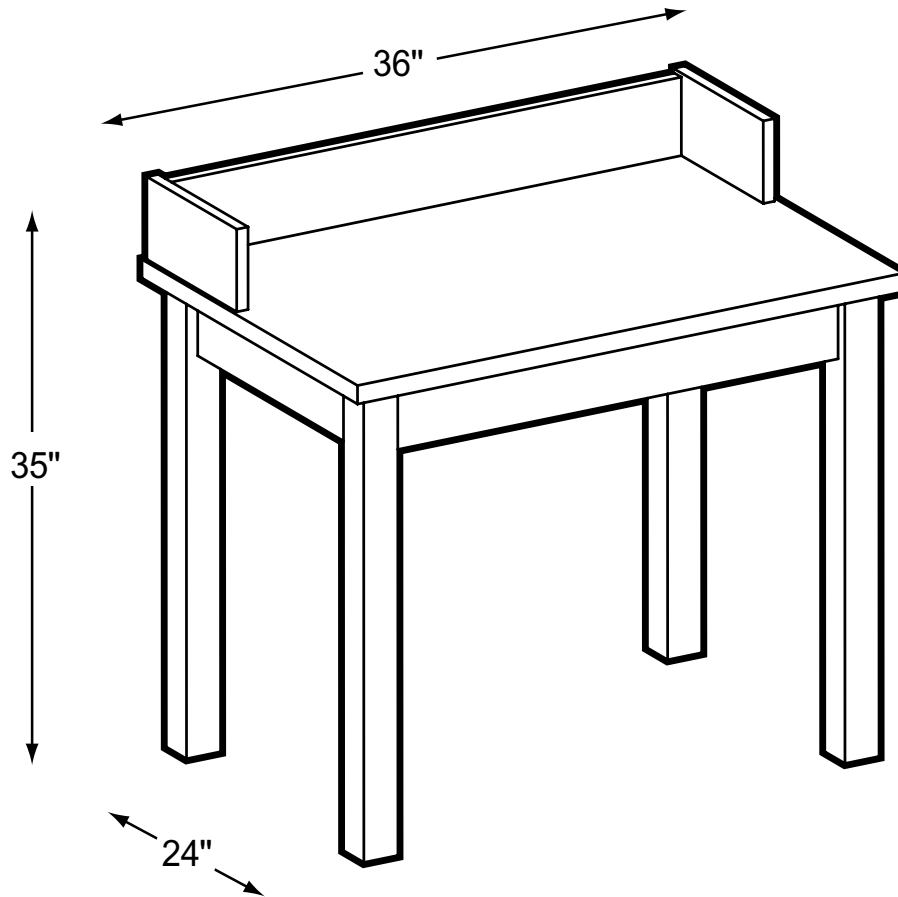




**VISION SERIES**

**VS-3025**

**Reference Carrel**



**Product Specs**

- 1" HPL top
- 3/4" color selected plain sliced veneer
- Natural or Medium finish
- 3mm oak edge banding
- 3/4" x 1 1/2" solid oak molding on leading edges
- 2 1/4" solid oak legs
- 1/4" leg connector plate
- Adjustable glides
- 2 3/8" solid oak skirt
- 80mm grommet
- Custom finish available per quote

0612