

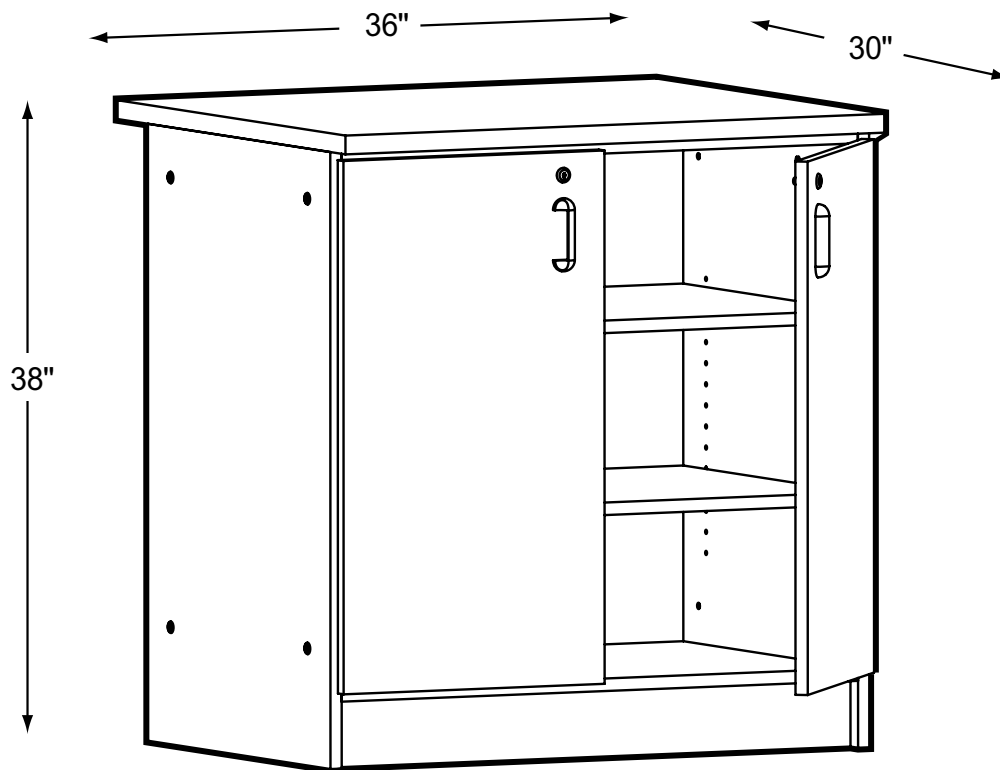


**IRONWOOD**  
MANUFACTURING

VISION SERIES

**VS-3101**

**Closed Storage**



**Product Specs**

- 1" HPL top
- 3/4" color selected plain sliced veneer
- Natural or medium finish
- 3mm oak edge banding
- 3/4" x 1 1/2" solid oak molding on leading edges
- 5mm steel shelf supports
- European concealed hinges
- Hooded oak four fingered pull
- Custom finish available per quote

0612

Ironwood Manufacturing • P.O. Box 1420 • Missoula, Montana 59806  
(406) 721-4747 • (800) 769-5693 • fax (406) 721-8424 • [www.ironwoodmfg.com](http://www.ironwoodmfg.com)