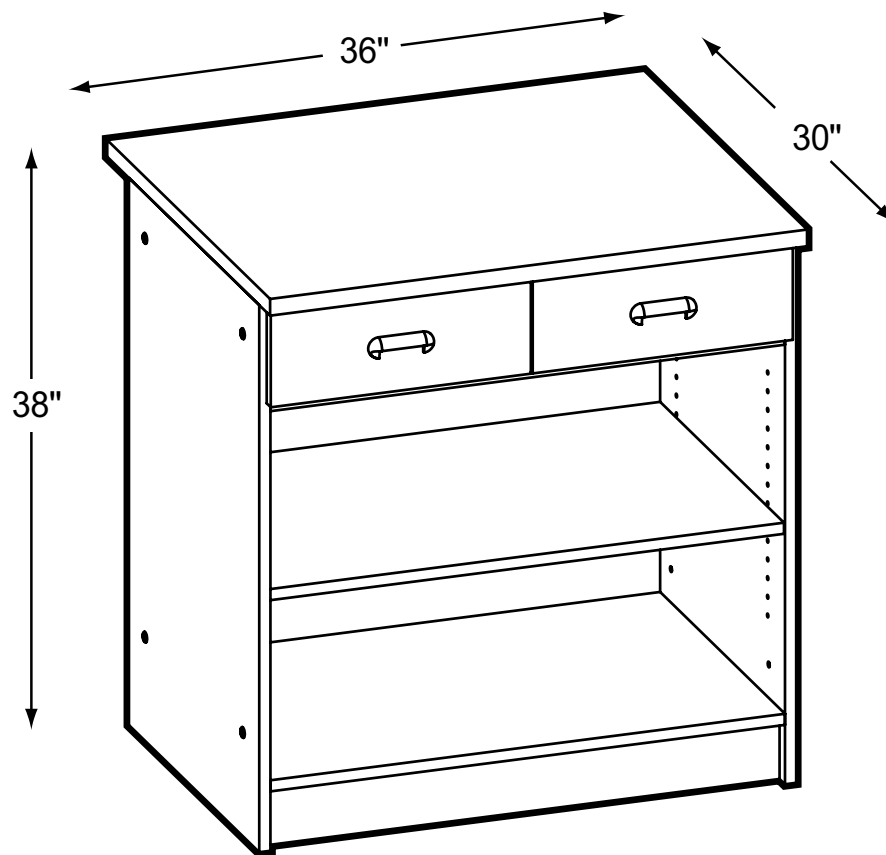


VISION SERIES
VS-3105
Two-Drawer Unit



Product Specs

- 1" HPL top
- 3/4" color selected plain sliced veneer
- Natural or medium finish
- 3mm oak edge banding
- 3/4" x 1-1/2" solid oak molding on leading edges
- 5mm steel shelf supports
- European concealed hinges
- Hooded oak four fingered pull
- 75# rated 2/3 extension slide
- Custom finish available per quote

0612