

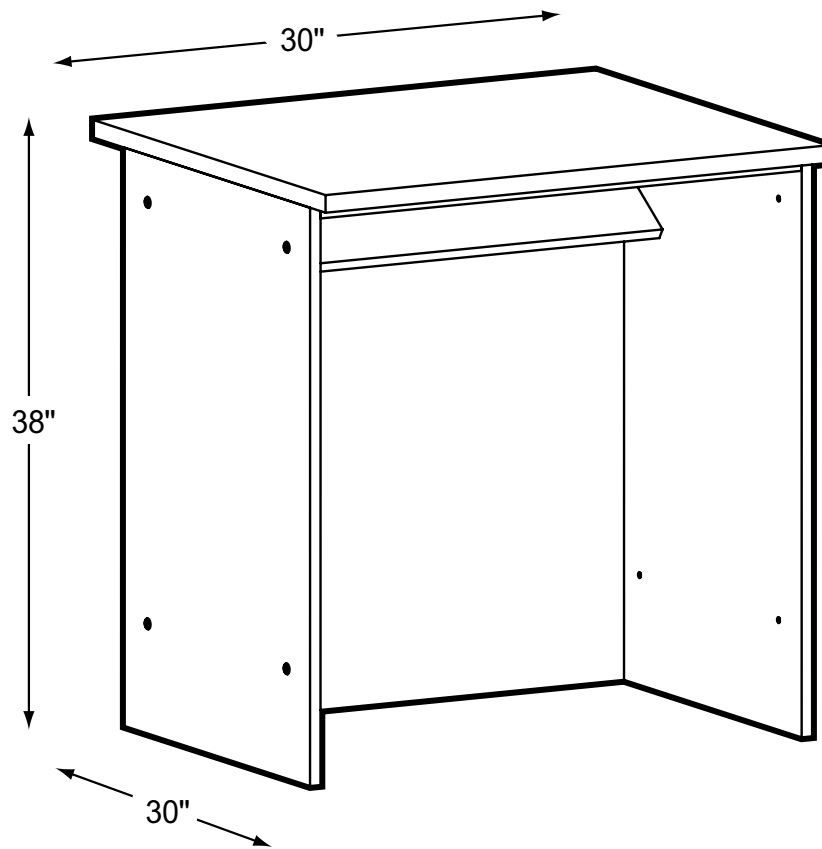


IRONWOOD
MANUFACTURING

VISION SERIES

VS-3109

Book Truck Storage



Product Specs

- 1" HPL top
- 3/4" color selected plain sliced veneer
- Natural or medium finish
- 3mm oak edge banding
- 3/4" x 1 1/2" solid oak molding on leading edges
- Book Drop cutout
- Sloped shelf
- Custom finish available per quote

0712

Ironwood Manufacturing • P.O. Box 1420 • Missoula, Montana 59806
(406) 721-4747 • (800) 769-5693 • fax (406) 721-8424 • www.ironwoodmfg.com