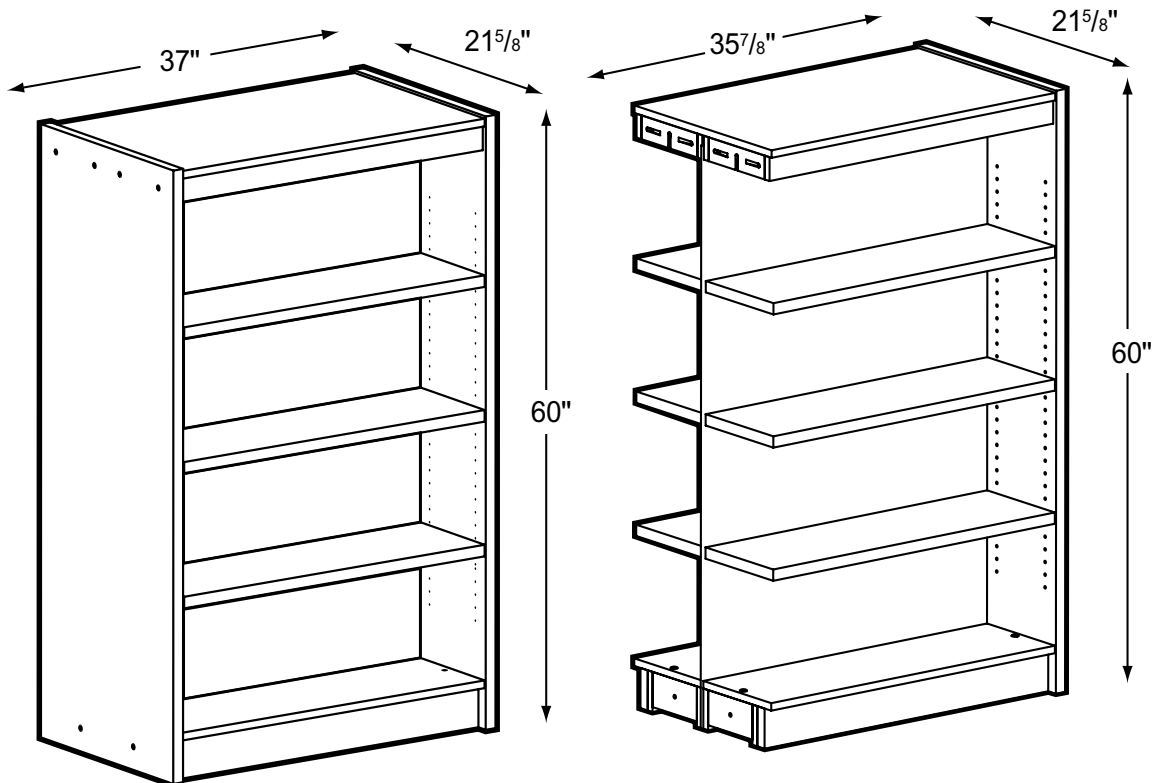




**VISION SERIES**

**DOUBLE FACED  
SHELVING**



VS-3563-A

VS-3563-S

**Product Specs**

- 1" color selected plain sliced veneer shelves and starters
- 3/4" color selected plain sliced veneer tops, bottoms and adders
- 1/4" thermal fused laminate backs or dividers
- Natural or medium finish
- 3mm oak edge banding
- 3/4" x 1 1/2" solid oak molding on leading edges
- 2 3/8" oak marquee top frame
- 1/4"-20 bolts to secure kick base and top marquee to vertical side panels
- Adjustable shelves on 1 1/4" increments
- 5mm steel shelf supports
- Custom finish available per quote